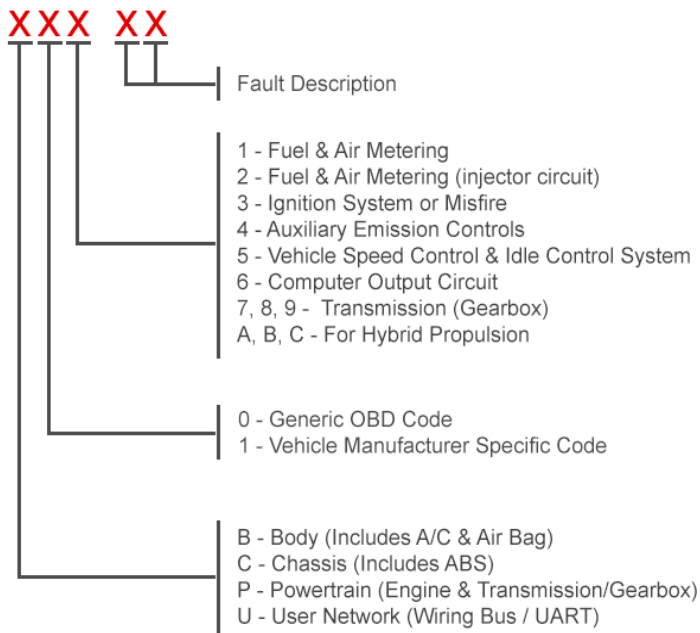


On Board Diagnostic (OBD) Codes

Explanation of OBD2 Diagnostic Trouble Codes



Code type	Explanation
Generic (normally P0xxx)	The definition for the code is defined in the EOBD / OBD-II standard and will be the same for all manufacturers.
Manufacturer-specific (normally P1xxx)	Where manufacturers feel that a code is not available within the generic list, they can add their own codes. The definitions for these are set by the manufacturer.

Powertrain codes
P0xxx - Generic
P1xxx - Manufacturer-specific
P2xxx - Generic
P30xx-P33xx - Manufacturer-specific
P34xx-P39xx - Generic

Chassis codes

C0xxx - Generic

C1xxx - Manufacturer-specific

C2xxx - Manufacturer-specific

C3xxx - Generic

Body codes

B0xxx - Generic

B1xxx - Manufacturer-specific

B2xxx - Manufacturer-specific

B3xxx - Generic

Network Communication codes

U0xxx - Generic

U1xxx - Manufacturer-specific

U2xxx - Manufacturer-specific

U3xxx - Generic

Related to: Fuel and Air Metering

- P0001 Fuel Volume Regulator Control Circuit/Open
- P0002 Fuel Volume Regulator Control Circuit Range/Performance
- P0003 Fuel Volume Regulator Control Circuit Low
- P0004 Fuel Volume Regulator Control Circuit High
- P0005 Fuel Shutoff Valve Control Circuit/Open
- P0006 Fuel Shutoff Valve Control Circuit Low
- P0007 Fuel Shutoff Valve Control Circuit High
- P0008 Engine Position System Performance (Bank1)
- P0009 Engine Position System Performance (Bank2)
- P0010 A Camshaft Position Actuator Circuit (Bank1)
- P0011 A Camshaft Position - Timing Over-Advanced or System Performance (Bank 1)
- P0012 A Camshaft Position - Timing Over-Retarded (Bank 1)
- P0013 B Camshaft Position - Actuator Circuit (Bank1)
- P0014 B Camshaft Position - Timing Over-Advanced or System Performance (Bank 1)
- P0015 B Camshaft Position - Timing Over-Retarded (Bank 1)

P0016 Crankshaft Position Camshaft Position Correlation (Bank 1 Sensor A)
P0017 Crankshaft Position Camshaft Position Correlation (Bank 1 Sensor B)
P0018 Crankshaft Position Camshaft Position Correlation (Bank 2 Sensor A)
P0019 Crankshaft Position Camshaft Position Correlation (Bank 2 Sensor B)
P0020 A Camshaft Position Actuator Circuit (Bank 2)
P0021 A Camshaft Position - Timing Over-Advanced or System Performance (Bank 2)
P0022 A Camshaft Position - Timing Over-Retarded (Bank 2)
P0023 B Camshaft Position - Actuator Circuit (Bank 2)
P0024 B Camshaft Position - Timing Over-Advanced or System Performance (Bank 2)
P0025 B Camshaft Position - Timing Over-Retarded (Bank 2)
P0026 Intake Valve Control Solenoid Circuit Range/Performance (Bank 1)
P0027 Exhaust Valve Control Solenoid Circuit Range/Performance (Bank 1)
P0028 Intake Valve Control Solenoid Circuit Range/Performance (Bank 2)
P0029 Exhaust Valve Control Solenoid Circuit Range/Performance (Bank 2)
P0030 HO2S Heater Control Circuit (Bank 1 Sensor 1)
P0031 HO2S Heater Control Circuit Low (Bank 1 Sensor 1)
P0032 HO2S Heater Control Circuit High (Bank 1 Sensor 1)
P0033 Turbo Charger Bypass Valve Control Circuit
P0034 Turbo Charger Bypass Valve Control Circuit Low
P0035 Turbo Charger Bypass Valve Control Circuit High
P0036 HO2S Heater Control Circuit (Bank 1 Sensor 2)
P0037 HO2S Heater Control Circuit Low (Bank 1 Sensor 2)
P0038 HO2S Heater Control Circuit High (Bank 1 Sensor 2)
P0039 Turbo/Super Charger Bypass Valve Control Circuit Range/Performance
P0040 O2 Sensor Signals Swapped Bank 1 Sensor 1/ Bank 2 Sensor 1
P0041 O2 Sensor Signals Swapped Bank 1 Sensor 2/ Bank 2 Sensor 2
P0042 HO2S Heater Control Circuit (Bank 1 Sensor 3)
P0043 HO2S Heater Control Circuit Low (Bank 1 Sensor 3)
P0044 HO2S Heater Control Circuit High (Bank 1 Sensor 3)
P0045 Turbo/Super Charger Boost Control Solenoid Circuit/Open
P0046 Turbo/Super Charger Boost Control Solenoid Circuit Range/Performance
P0047 Turbo/Super Charger Boost Control Solenoid Circuit Low
P0048 Turbo/Super Charger Boost Control Solenoid Circuit High
P0049 Turbo/Super Charger Turbine Over speed
P0050 HO2S Heater Control Circuit (Bank 2 Sensor 1)
P0051 HO2S Heater Control Circuit Low (Bank 2 Sensor 1)
P0052 HO2S Heater Control Circuit High (Bank 2 Sensor 1)
P0053 HO2S Heater Resistance (Bank 1 Sensor 1)
P0054 HO2S Heater Resistance (Bank 1 Sensor 2)
P0055 HO2S Heater Resistance (Bank 1 Sensor 3)
P0056 HO2S Heater Control Circuit (Bank 2 Sensor 2)
P0057 HO2S Heater Control Circuit Low (Bank 2 Sensor 2)
P0058 HO2S Heater Control Circuit High (Bank 2 Sensor 2)
P0059 HO2S Heater Resistance (Bank 2 Sensor 1)
P0060 HO2S Heater Resistance (Bank 2 Sensor 2)
P0061 HO2S Heater Resistance (Bank 2 Sensor 3)
P0062 HO2S Heater Control Circuit (Bank 2 Sensor 3)
P0063 HO2S Heater Control Circuit Low (Bank 2 Sensor 3)
P0064 HO2S Heater Control Circuit High (Bank 2 Sensor 3)
P0065 Air Assisted Injector Control Range/Performance
P0066 Air Assisted Injector Control Circuit or Circuit Low
P0067 Air Assisted Injector Control Circuit High
P0068 MAP/MAF Throttle Position Correlation
P0069 Manifold Absolute Pressure Barometric Pressure Correlation
P0070 Ambient Air Temperature Sensor Circuit
P0071 Ambient Air Temperature Sensor Range/Performance
P0072 Ambient Air Temperature Sensor Circuit Low
P0073 Ambient Air Temperature Sensor Circuit High

P0074 Ambient Air Temperature Sensor Circuit Intermittent
P0075 Intake Valve Control Solenoid Circuit (Bank 1)
P0076 Intake Valve Control Solenoid Circuit Low (Bank 1)
P0077 Intake Valve Control Solenoid Circuit High (Bank 1)
P0078 Exhaust Valve Control Solenoid Circuit (Bank 1)
P0079 Exhaust Valve Control Solenoid Circuit Low (Bank 1)
P0080 Exhaust Valve Control Solenoid Circuit High (Bank 1)
P0081 Intake Valve Control Solenoid Circuit (Bank 2)
P0082 Intake Valve Control Solenoid Circuit Low (Bank 2)
P0083 Intake Valve Control Solenoid Circuit High (Bank 2)
P0084 Exhaust Valve Control Solenoid Circuit (Bank 2)
P0085 Exhaust Valve Control Solenoid Circuit Low (Bank 2)
P0086 Exhaust Valve Control Solenoid Circuit High (Bank 2)
P0087 Fuel Rail/System Pressure - Too Low
P0088 Fuel Rail/System Pressure - Too High
P0089 Fuel Pressure Regulator 1 Performance
P0090 Fuel Pressure Regulator 1 Control Circuit
P0091 Fuel Pressure Regulator 1 Control Circuit Low
P0092 Fuel Pressure Regulator 1 Control Circuit High
P0093 Fuel System Leak Detected Large Leak
P0094 Fuel System Leak Detected Small Leak
P0095 Intake Air Temperature Sensor 2 Circuit
P0096 Intake Air Temperature Sensor 2 Circuit Range/Performance
P0097 Intake Air Temperature Sensor 2 Circuit Low
P0098 Intake Air Temperature Sensor 2 Circuit High
P0099 Intake Air Temperature Sensor 2 Circuit Intermittent/Erratic
P0100 Mass or Volume Air flow Circuit Malfunction
P0101 Mass or Volume Air flow Circuit Range/Performance Problem
P0102 Mass or Volume Air Flow Circuit low Input
P0103 Mass or Volume Air flow Circuit High Input
P0104 Mass or Volume Air flow Circuit Intermittent
P0105 Manifold Absolute Pressure/Barometric Pressure Circuit Malfunction
P0106 Manifold Absolute Pressure/Barometric Pressure Circuit Range/Performance Problem
P0107 Manifold Absolute Pressure/Barometric Pressure Circuit Low Input
P0108 Manifold Absolute Pressure/Barometric Pressure Circuit High Input
P0109 Manifold Absolute Pressure/Barometric Pressure Circuit Intermittent
P0110 Intake Air Temperature Circuit Malfunction
P0111 Intake Air Temperature Circuit Range/Performance Problem
P0112 Intake Air Temperature Circuit Low Input
P0113 Intake Air Temperature Circuit High Input
P0114 Intake Air Temperature Circuit Intermittent
P0115 Engine Coolant Temperature Circuit Malfunction
P0116 Engine Coolant Temperature Circuit Range/Performance Problem
P0117 Engine Coolant Temperature Circuit Low Input
P0118 Engine Coolant Temperature Circuit High Input
P0119 Engine Coolant Temperature Circuit Intermittent
P0120 Throttle Pedal Position Sensor/Switch A Circuit Malfunction
P0121 Throttle/Pedal Position Sensor/Switch A Circuit Range/Performance Problem
P0122 Throttle/Pedal Position Sensor/Switch A Circuit Low Input
P0123 Throttle/Pedal Position Sensor/Switch A Circuit High Input
P0124 Throttle/Pedal Position Sensor/Switch A Circuit Intermittent
P0125 Insufficient Coolant Temperature for Closed Loop Fuel Control
P0126 Insufficient Coolant Temperature for Stable Operation
P0130 O2 Sensor Circuit Malfunction (Bank 1 Sensor 1)
P0131 O2 Sensor Circuit Low Voltage (Bank 1 Sensor 1)
P0132 O2 Sensor Circuit High Voltage (Bank 1 Sensor 1)
P0133 O2 Sensor Circuit Slow Response (Bank 1 Sensor 1)
P0134 O2 Sensor Circuit No Activity Detected (Bank 1 Sensor 1)

P0135 O2 Sensor Heater Circuit Malfunction (Bank 1 Sensor 1)
P0136 O2 Sensor Circuit Malfunction (Bank 1 Sensor 2)
P0137 O2 Sensor Circuit Low Voltage (Bank 1 Sensor 2)
P0138 O2 Sensor Circuit High Voltage (Bank 1 Sensor 2)
P0139 O2 Sensor Circuit Slow Response (Bank 1 Sensor 2)
P0140 O2 Sensor Circuit No Activity Detected (Bank 1 Sensor 2)
P0141 O2 Sensor Heater Circuit Malfunction (Bank 1 Sensor 2)
P0142 O2 Sensor Circuit Malfunction (Bank 1 Sensor 3)
P0143 O2 Sensor Circuit Low Voltage (Bank 1 Sensor 3)
P0144 O2 Sensor Circuit High Voltage (Bank 1 Sensor 3)
P0145 O2 Sensor Circuit Slow Response (Bank 1 Sensor 3)
P0146 O2 Sensor Circuit No Activity Detected (Bank 1 Sensor 3)
P0147 O2 Sensor Heater Circuit Malfunction (Bank 1 Sensor 3)
P0150 O2 Sensor Circuit Malfunction (Bank 2 Sensor 1)
P0151 O2 Sensor Circuit Low Voltage (Bank 2 Sensor 1)
P0152 O2 Sensor Circuit High Voltage (Bank 2 Sensor 1)
P0153 O2 Sensor Circuit Slow Response (Bank 2 Sensor 1)
P0154 O2 Sensor Circuit No Activity Detected (Bank 2 Sensor 1)
P0155 O2 Sensor Heater Circuit Malfunction (Bank 2 Sensor 1)
P0156 O2 Sensor Circuit Malfunction (Bank 2 Sensor 2)
P0157 O2 Sensor Circuit Low Voltage (Bank 2 Sensor 2)
P0158 O2 Sensor Circuit High Voltage (Bank 2 Sensor 2)
P0159 O2 Sensor Circuit Slow Response (Bank 2 Sensor 2)
P0160 O2 Sensor Circuit No Activity Detected (Bank 2 Sensor 2)
P0161 O2 Sensor Heater Circuit Malfunction (Bank 2 Sensor 2)
P0162 O2 Sensor Circuit Malfunction (Bank 2 Sensor 3)
P0163 O2 Sensor Circuit Low Voltage (Bank 2 Sensor 3)
P0164 O2 Sensor Circuit High Voltage (Bank 2 Sensor 3)
P0165 O2 Sensor Circuit Slow Response (Bank 2 Sensor 3)
P0166 O2 Sensor Circuit No Activity Detected (Bank 2 Sensor 3)
P0167 O2 Sensor Heater Circuit Malfunction (Bank 2 Sensor 3)
P0170 Fuel Trim Malfunction (Bank 1)
P0171 System Too Lean (Bank 1)
P0172 System Too Rich (Bank 1)
P0173 Fuel Trim Malfunction (Bank 2)
P0174 System Too Lean (Bank 2)
P0175 System Too Rich (Bank 2)
P0176 Fuel Composition Sensor Circuit Malfunction
P0177 Fuel Composition Sensor Circuit Range/Performance
P0178 Fuel Composition Sensor Circuit Low Input
P0179 Fuel Composition Sensor Circuit High Input
P0180 Fuel Temperature Sensor A Circuit Malfunction
P0181 Fuel Temperature Sensor A Circuit Performance
P0182 Fuel Temperature Sensor A Circuit low Input
P0183 Fuel Temperature Sensor A Circuit High Input
P0184 Fuel Temperature Sensor A Circuit Intermittent
P0185 Fuel Temperature Sensor B Circuit Malfunction
P0186 Fuel Temperature Sensor B Circuit Range/Performance
P0187 Fuel Temperature Sensor U Circuit Low Input
P0188 Fuel Temperature Sensor B Circuit High Input
P0189 Fuel Temperature Sensor B Circuit Intermittent
P0190 Fuel Rail Pressure Sensor Circuit Malfunction
P0191 Fuel Rail Pressure Sensor Circuit Range/Performance
P0192 Fuel Rail Pressure Sensor Circuit Low Input
P0193 Fuel Rail Pressure Sensor Circuit High Input
P0194 Fuel Rail Pressure Sensor Circuit Intermittent
P0195 Engine Oil Temperature Sensor Malfunction
P0196 Engine Oil Temperature Sensor Range/Performance

P0197 Engine Oil Temperature Sensor Low
P0198 Engine Oil Temperature Sensor High
P0199 Engine Oil Temperature Sensor Intermittent
P0200 Injector Circuit Malfunction
P0201 Injector Circuit Malfunction - Cylinder 1
P0202 Injector Circuit Malfunction - Cylinder 2
P0203 Injector Circuit Malfunction - Cylinder 3
P0204 Injector Circuit Malfunction - Cylinder 4
P0205 Injector Circuit Malfunction - Cylinder 5
P0206 Injector Circuit Malfunction - Cylinder 6
P0207 Injector Circuit Malfunction - Cylinder 7
P0208 Injector Circuit Malfunction - Cylinder 8
P0209 Injector Circuit Malfunction - Cylinder 9
P0210 Injector Circuit Malfunction - Cylinder 10
P0211 Injector Circuit Malfunction - Cylinder 11
P0212 Injector Circuit Malfunction - Cylinder 12
P0213 Cold Start Injector 1 Malfunction
P0214 Cold Start Injector 2 Malfunction
P0215 Engine Shutoff Solenoid Malfunction
P0216 Injection Timing Control Circuit Malfunction
P0217 Engine Over temp Condition
P0218 Transmission Over Temperature Condition
P0219 Engine Over Speed Condition
P0220 Throttle/Pedal Position Sensor/Switch B Circuit Malfunction
P0221 Throttle/pedal Position Sensor/Switch B Circuit Range/Performance Problem
P0222 Throttle/pedal Position Sensor/Switch B Circuit Low Input
P0223 Throttle/Pedal Position Sensor/Switch B Circuit High Input
P0224 Throttle/Pedal Position Sensor/Switch B Circuit Intermittent
P0225 Throttle/Pedal Position Sensor/Switch C Circuit Malfunction
P0226 Throttle/Pedal Position Sensor/Switch C Circuit Range/Performance Problem
P0227 Throttle/Pedal Position Sensor/Switch C Circuit Low Input
P0228 Throttle/Pedal Position Sensor/Switch C Circuit High Input
P0229 Throttle/Pedal Position Sensor/Switch C Circuit Intermittent
P0230 Fuel Pump Primary Circuit Malfunction
P0231 Fuel Pump Secondary Circuit Low
P0232 Fuel Pump Secondary Circuit High
P0233 Fuel Pump Secondary Circuit Intermittent
P0234 Engine Over boost Condition
P0235 Turbocharger Boost Sensor A Circuit Malfunction
P0236 Turbocharger Boost Sensor A Circuit Range/Performance
P0237 Turbocharger Boost Sensor A Circuit Low
P0238 Turbocharger Boost Sensor A Circuit High
P0239 Turbocharger Boost Sensor B Circuit Malfunction
P0240 Turbocharger Boost Sensor B Circuit Range/Performance
P0241 Turbocharger Boost Sensor B Circuit Low
P0242 Turbocharger Boost Sensor B Circuit High
P0243 Turbocharger Wastegate Solenoid A Malfunction
P0244 Turbocharger Wastegate Solenoid A Range/Performance
P0245 Turbocharger Wastegate Solenoid A low
P0246 Turbocharger Wastegate Solenoid A High
P0247 Turbocharger Wastegate Solenoid B Malfunction
P0248 Turbocharger Wastegate Solenoid B Range/Performance
P0249 Turbocharger Wastegate Solenoid B Low
P0250 Turbocharger Wastegate Solenoid B High
P0251 Injection Pump Fuel Metering Control "A" Malfunction (Cam/Rotor/Injector)
P0252 Injection Pump Fuel Metering Control "A" Range/Performance (Cam/Rotor/Injector)
P0253 Injection Pump Fuel Metering Control "A" Low (Cam/Rotor/Injector)
P0254 Injection Pump Fuel Metering Control "A" High (Cam/Rotor/Injector)

P0255 Injection Pump Fuel Metering Control "A" Intermittent (Cam/Rotor/Injector)
P0256 Injection Pump Fuel Metering Control "B" Malfunction (Cam/Rotor/Injector)
P0257 Injection Pump Fuel Metering Control "B" Range/Performance (Cam/Rotor/Injector)
P0258 Injection Pump Fuel Metering Control "B" Low (Cam/Rotor/Injector)
P0259 Injection Pump Fuel Metering Control "B" High (Cam/Rotor/Injector)
P0260 Injection Pump Fuel Metering Control "B" Intermittent (Cam/Rotor/Injector)
P0261 Cylinder 1 Injector Circuit Low
P0262 Cylinder 1 Injector Circuit High
P0263 Cylinder 1 Contribution/Balance Fault
P0264 Cylinder 2 Injector Circuit Low
P0265 Cylinder 2 Injector Circuit High
P0266 Cylinder 2 Contribution/Balance Fault
P0267 Cylinder 3 Injector Circuit Low
P0268 Cylinder 3 Injector Circuit High
P0269 Cylinder 3 Contribution/Balance Fault
P0270 Cylinder 4 Injector Circuit Low
P0271 Cylinder 4 Injector Circuit High
P0272 Cylinder 4 Contribution/Balance Fault
P0273 Cylinder 5 Injector Circuit Low
P0274 Cylinder 5 Injector Circuit High
P0275 Cylinder 5 Contribution/Balance Fault
P0276 Cylinder 6 Injector Circuit Low
P0277 Cylinder 6 Injector Circuit High
P0278 Cylinder 6 Contribution/Balance Fault
P0279 Cylinder 7 Injector Circuit Low
P0280 Cylinder 7 Injector Circuit High
P0281 Cylinder 7 Contribution/Balance Fault
P0282 Cylinder 8 Injector Circuit Low
P0283 Cylinder 8 Injector Circuit High
P0284 Cylinder 8 Contribution/Balance Fault
P0285 Cylinder 9 Injector Circuit Low
P0286 Cylinder 9 Injector Circuit High
P0287 Cylinder 9 Contribution/Balance Fault
P0288 Cylinder 10 Injector Circuit Low
P0289 Cylinder 10 Injector Circuit High
P0290 Cylinder 10 Contribution/balance Fault
P0291 Cylinder 11 Injector Circuit Low
P0292 Cylinder 11 Injector Circuit High
P0293 Cylinder 11 Contribution/balance Fault
P0294 Cylinder 12 Injector Circuit Low
P0295 Cylinder 12 Injector Circuit High
P0296 Cylinder 12 Contribution/Balance Fault

Related to: Ignition System and Misfire Detection

P0300 Random/Multiple Cylinder Misfire Detected
P0301 Cylinder 1 Misfire Detected
P0302 Cylinder 2 Misfire Detected
P0303 Cylinder 3 Misfire Detected
P0304 Cylinder 4 Misfire Detected
P0305 Cylinder 5 Misfire Detected
P0306 Cylinder 6 Misfire Detected
P0307 Cylinder 7 Misfire Detected
P0308 Cylinder 8 Misfire Detected
P0309 Cylinder 9 Misfire Detected
P0310 Cylinder 10 Misfire Detected
P0311 Cylinder 11 Misfire Detected
P0312 Cylinder 12 Misfire Detected
P0320 Ignition/Distributor Engine Speed Input Circuit Malfunction

P0321 Ignition/Distributor Engine Speed Input Circuit Range/Performance
P0322 Ignition/Distributor Engine Speed Input Circuit No Signal
P0323 Ignition/Distributor Engine Speed Input Circuit Intermittent
P0325 Knock Sensor 1 Circuit Malfunction (Bank 1 or Single Sensor)
P0326 Knock Sensor 1 Circuit Range/Performance (Bank 1 or Single Sensor)
P0327 Knock Sensor 1 Circuit low Input (Bank 1 or Single Sensor)
P0328 Knock Sensor 1 Circuit High Input (Bank 1 or Single Sensor)
P0329 Knock Sensor 1 Circuit Input Intermittent (Bank 1 or Single Sensor)
P0330 Knock Sensor 2 Circuit Malfunction (Bank 2)
P0331 Knock Sensor 2 Circuit Range/Performance (Bank)
P0332 Knock Sensor 2 Circuit Low Input (Bank 2)
P0333 Knock Sensor 2 Circuit High Input (Bank 2)
P0334 Knock Sensor 2 Circuit Input Intermittent (Bank 2)
P0335 Crankshaft Position Sensor A Circuit Malfunction
P0336 Crankshaft Position Sensor A Circuit Range/Performance
P0337 Crankshaft Position Sensor A Circuit Low Input
P0338 Crankshaft Position Sensor A Circuit High Input
P0339 Crankshaft Position Sensor A Circuit Intermittent
P0340 Camshaft Position Sensor Circuit Malfunction
P0341 Camshaft Position Sensor Circuit Range/Performance
P0342 Camshaft Position Sensor Circuit Low Input
P0343 Camshaft Position Sensor Circuit High Input
P0344 Camshaft Position Sensor Circuit Intermittent
P0350 Ignition Coil Primary/Secondary Circuit Malfunction
P0351 Ignition Coil A Primary/Secondary Circuit Malfunction
P0352 Ignition Coil B Primary/Secondary Circuit Malfunction
P0353 Ignition Coil C Primary/Secondary Circuit Malfunction
P0354 Ignition Coil D Primary/Secondary Circuit Malfunction
P0355 Ignition Coil B Primary/Secondary Circuit Malfunction
P0356 Ignition Coil F Primary/Secondary Circuit Malfunction
P0357 Ignition Coil G Primary/Secondary Circuit Malfunction
P0358 Ignition Coil H Primary/Secondary Circuit Malfunction
P0359 Ignition Coil I Primary/Secondary Circuit Malfunction
P0360 Ignition Coil I Primary/Secondary Circuit Malfunction
P0361 Ignition Coil K Primary/Secondary Circuit Malfunction
P0362 Ignition Coil L Primary/Secondary Circuit Malfunction
P0370 Timing Reference High Resolution Signal A Malfunction
P0371 Timing Reference High Resolution Signal A Too Many Pulses
P0372 Timing Reference High Resolution Signal A Too Few Pulses
P0373 Timing Reference High Resolution Signal A Intermittent/Erratic Pulses
P0374 Timing Reference High Resolution Signal A No Pulses
P0375 Timing Reference High Resolution Signal B Malfunction
P0376 Timing Reference High Resolution Signal B Too Many Pulses
P0377 Timing Reference High Resolution Signal B Too Few Pulses
P0378 Timing Reference High Resolution Signal B Intermittent/Erratic Pulses
P0379 Timing Reference High Resolution Signal B No Pulses
P0380 Glow Plug/Heater Circuit "A" Malfunction
P0381 Glow Plug/Heater Indicator Circuit Malfunction
P0382 Glow Plug/Heater Circuit "B" Malfunction
P0385 Crankshaft Position Sensor B Circuit Malfunction
P0386 Crankshaft Position Sensor B Circuit Range/Performance
P0387 Crankshaft Position Sensor B Circuit Low Input
P0388 Crankshaft Position Sensor B Circuit High Input
P0389 Crankshaft Position Sensor B Circuit Intermittent

Related to: Auxilliary Emission Controls. EGR, EVAP etc.

P0400 Exhaust Gas Recirculation Flow Malfunction
P0401 Exhaust Gas Recirculation Flow Insufficient Detected

P0402 Exhaust Gas Recirculation Flow Excessive Detected
P0403 Exhaust Gas Recirculation Circuit Malfunction
P0404 Exhaust Gas Recirculation Circuit Range/Performance
P0405 Exhaust Gas Recirculation Sensor A Circuit Low
P0406 Exhaust Gas Recirculation Sensor A Circuit High
P0407 Exhaust Gas Recirculation Sensor B Circuit Low
P0408 Exhaust Gas Recirculation Sensor B Circuit High
P0410 Secondary Air Injection System Malfunction
P0411 Secondary Air Injection System Incorrect Flow Detected
P0412 Secondary Air Injection System Switching Valve A Circuit Malfunction
P0413 Secondary Air Injection System Switching Valve A Circuit Open
P0414 Secondary Air Injection System Switching Valve A Circuit Shorted
P0415 Secondary Air Injection System Switching Valve B Circuit Malfunction
P0416 Secondary Air Injection System Switching Valve B Circuit Open
P0417 Secondary Air Injection System Switching Valve B Circuit Shorted
P0418 Secondary Air Injection System Relay A circuit Malfunction
P0419 Secondary Air Injection System Relay B Circuit Malfunction
P0420 Catalyst System Efficiency Below Threshold (Bank 1)
P0421 Warm Up Catalyst Efficiency Below Threshold (Bank 1)
P0422 Main Catalyst Efficiency Below Threshold (Bank 1)
P0423 Heated Catalyst Efficiency Below Threshold (Bank 1)
P0424 Heated Catalyst Temperature Below Threshold (Bank 1)
P0430 Catalyst System Efficiency Below Threshold (Bank 2)
P0431 Warm Up Catalyst Efficiency Below Threshold (Bank 2)
P0432 Main Catalyst Efficiency Below Threshold (Bank 2)
P0433 Heated Catalyst Efficiency Below Threshold (Bank 2)
P0434 Heated Catalyst Temperature Below Threshold (Bank 2)
P0440 Evaporative Emission Control System Malfunction
P0441 Evaporative Emission Control System Incorrect Purge flow
P0442 Evaporative Emission Control System leak Detected (small leak)
P0443 Evaporative Emission Control System Purge Control Valve circuit Malfunction
P0444 Evaporative Emission Control System Purge Control Valve Circuit Open
P0445 Evaporative Emission Control System Purge Control Valve Circuit Shorted
P0446 Evaporative Emission Control System Vent Control Circuit Malfunction
P0447 Evaporative Emission Control System Vent Control Circuit Open
P0448 Evaporative Emission Control System Vent Control Circuit Shorted
P0449 Evaporative Emission Control System Vent Valve/Solenoid Circuit Malfunction
P0450 Evaporative Emission Control System Pressure Sensor Malfunction
P0451 Evaporative Emission Control System Pressure Sensor Range/Performance
P0452 Evaporative Emission Control System Pressure Sensor Low Input
P0453 Evaporative Emission Control System Pressure Sensor High Input
P0454 Evaporative Emission Control System Pressure Sensor Intermittent
P0455 Evaporative Emission Control System Tank Detected (gross leak)
P0460 Fuel Level Sensor Circuit Malfunction
P0461 Fuel Level Sensor Circuit Range/Performance
P0462 Fuel level Sensor Circuit Low Input
P0463 Fuel level Sensor Circuit High Input
P0464 Fuel level Sensor Circuit Intermittent
P0465 Purge Flow Sensor Circuit Malfunction
P0466 Purge flow Sensor Circuit Range/Performance
P0467 Purge Flow Sensor Circuit Low Input
P0468 Purge flow Sensor Circuit High Input
P0469 Purge flow Sensor Circuit Intermittent
P0470 Exhaust Pressure Sensor Malfunction
P0471 Exhaust Pressure Sensor Range/Performance
P0472 Exhaust Pressure Sensor Low
P0473 Exhaust Pressure Sensor High
P0474 Exhaust Pressure Sensor Intermittent

P0475 Exhaust Pressure Control Valve Malfunction
P0476 Exhaust Pressure Control Valve Range/Performance
P0477 Exhaust Pressure Control Valve Low
P0478 Exhaust Pressure Control Valve High
P0479 Exhaust Pressure Control Valve Intermittent
P0480 Cooling Fan 1 Control Circuit Malfunction
P0481 Cooling Fan 2 Control Circuit Malfunction
P0482 Cooling Fan 3 Control Circuit Malfunction
P0483 Cooling Fan Rationality Check Malfunction
P0484 Cooling Fan Circuit Over Current
P0485 Cooling Fan Power/Ground Circuit Malfunction

Related to: Vehicle Speed, Idle Control, and Auxiliary Inputs

P0500 Vehicle Speed Sensor Malfunction
P0501 Vehicle Speed Sensor Range/Performance
P0502 Vehicle Speed Sensor Circuit Low Input
P0503 Vehicle Speed Sensor Intermittent/Erratic/High
P0505 Idle Control System Malfunction
P0506 Idle Control System RPM lower Than Expected
P0507 Idle Control System RPM higher Than Expected
P0510 Closed Throttle Position Switch Malfunction
P0520 Engine Oil Pressure Sensor/Switch Circuit Malfunction
P0521 Engine Oil Pressure Sensor/Switch Range/Performance
P0522 Engine Oil Pressure Sensor/Switch Low Voltage
P0523 Engine Oil Pressure Sensor/Switch High Voltage
P0530 A/C Refrigerant Pressure Sensor Circuit Malfunction
P0531 A/C Refrigerant Pressure Sensor Circuit Range/Performance
P0532 A/C Refrigerant Pressure Sensor Circuit Low Input
P0533 A/C Refrigerant pressure Sensor Circuit High Input
P0534 Air Conditioner Refrigerant Charge Loss
P0550 Power Steering Pressure Sensor Circuit Malfunction
P0551 Power Steering Pressure Sensor Circuit Range/Performance
P0552 Power Steering Pressure Sensor Circuit Low Input
P0553 Power Steering Pressure Sensor Circuit High Input
P0554 Power Steering Pressure sensor Circuit Intermittent
P0560 System Voltage Malfunction
P0561 System Voltage Unstable
P0562 System Voltage Low
P0563 System Voltage High
P0565 Cruise Control On Signal Malfunction
P0566 Cruise Control Off Signal Malfunction
P0567 Cruise Control Resume Signal Malfunction
P0568 Cruise Control Set Signal Malfunction
P0569 Cruise Control Coast Signal Malfunction
P0570 Cruise Control Accelerator Signal Malfunction
P0571 Cruise Control/Brake Switch A Circuit Malfunction
P0572 Cruise Control/Brake Switch A Circuit Low
P0573 Cruise Control/Brake Switch A Circuit High
P0574 through P0580 Reserved for Cruise Codes

Related to: Computer and Auxiliary Outputs

P0600 Serial Communication Link Malfunction
P0601 Internal Control Module Memory Check Sum Error
P0602 Control Module Programming Error
P0603 Internal Control Module Keep Alive Memory (KAM) Error
P0604 Internal Control Module RAM Error
P0605 Internal Control Module ROM Error (Module Identification Defined by SAE J1979)

P0606 PCM Processor Fault
P0608 Control Module VSS Output "A" Malfunction
P0609 Control Module VSS Output "B" Malfunction
P0620 Generator Control Circuit Malfunction
P0621 Generator Lamp "L" Control Circuit Malfunction
P0622 Generator Field "F" Control Circuit Malfunction
P0650 Malfunction Indicator Lamp (MIL) Control Circuit Malfunction
P0654 Engine RPM Output Circuit Malfunction
P0655 Engine Hot Lamp Output Control Circuit Malfunction
P0656 Fuel Level Output Circuit Malfunction

Other codes

P0700 Transmission Control System Malfunction
P0701 Transmission Control System Range/Performance
P0702 Transmission Control System Electrical
P0703 Torque Converter/Brake Switch B Circuit Malfunction
P0704 Clutch Switch Input Circuit Malfunction
P0705 Transmission Range Sensor Circuit malfunction (PRNDL Input)
P0706 Transmission Range Sensor Circuit Range/Performance
P0707 Transmission Range Sensor Circuit Low Input
P0708 Transmission Range Sensor Circuit High Input
P0709 Transmission Range Sensor Circuit Intermittent
P0710 Transmission Fluid Temperature Sensor Circuit Malfunction
P0711 Transmission Fluid Temperature Sensor Circuit Range/Performance
P0712 Transmission Fluid Temperature Sensor Circuit Low Input
P0713 Transmission Fluid Temperature Sensor Circuit High Input
P0714 Transmission Fluid Temperature Sensor Circuit Intermittent
P0715 Input/Turbine Speed Sensor Circuit Malfunction
P0716 Input/Turbine Speed Sensor Circuit Range/Performance
P0717 Input/Turbine Speed Sensor Circuit No Signal
P0718 Input/Turbine Speed Sensor Circuit Intermittent
P0719 Torque Converter/Brake Switch B Circuit Low
P0720 Output Speed Sensor Circuit Malfunction
P0721 Output Speed Sensor Range/Performance
P0722 Output Speed Sensor No Signal
P0723 Output Speed Sensor Intermittent
P0724 Torque Converter/Brake Switch B Circuit High
P0725 Engine Speed input Circuit Malfunction
P0726 Engine Speed Input Circuit Range/Performance
P0727 Engine Speed Input Circuit No Signal
P0728 Engine Speed Input Circuit Intermittent
P0730 Incorrect Gear Ratio
P0731 Gear 1 Incorrect ratio
P0732 Gear 2 Incorrect ratio
P0733 Gear 3 Incorrect ratio
P0734 Gear 4 Incorrect ratio
P0735 Gear 5 Incorrect ratio
P0736 Reverse incorrect gear ratio
P0740 Torque Converter Clutch Circuit Malfunction
P0741 Torque Converter Clutch Circuit Performance or Stuck Off
P0742 Torque Converter Clutch Circuit Stuck On
P0743 Torque Converter Clutch Circuit Electrical
P0744 Torque Converter Clutch Circuit Intermittent
P0745 Pressure Control Solenoid Malfunction
P0746 Pressure Control Solenoid Performance or Stuck Off
P0747 Pressure Control Solenoid Stuck On
P0748 Pressure Control Solenoid Electrical
P0749 Pressure Control Solenoid Intermittent

P0750 Shift Solenoid A Malfunction
P0751 Shift Solenoid A Performance or Stuck Off/1-2 Shift Solenoid Valve Performance
P0752 Shift Solenoid A Stuck On
P0753 Shift Solenoid A Electrical/1-2 Shift Solenoid Circuit Electrical
P0754 Shift Solenoid A Intermittent
P0755 Shift Solenoid B Malfunction
P0756 Shift Solenoid B Performance or Stuck Off/2-3 Shift Solenoid Valve Performance
P0757 Shift Solenoid B Stuck On
P0758 Shift Solenoid B Electrical/2-3 Shift Solenoid Circuit Electrical
P0759 Shift Solenoid B Intermittent
P0760 Shift Solenoid C Malfunction
P0761 Shift Solenoid C Performance or Stuck Off
P0762 Shift Solenoid C Stuck On
P0763 Shift Solenoid C Electrical
P0764 Shift Solenoid C Intermittent
P0765 Shift Solenoid D Malfunction
P0766 Shift Solenoid D Performance or Stuck Off
P0767 Shift Solenoid D Stuck On
P0768 Shift Solenoid D Electrical
P0769 Shift Solenoid D Intermittent
P0770 Shift Solenoid E Malfunction
P0771 Shift Solenoid E Performance or Stuck Off
P0772 Shift Solenoid E Stuck On
P0773 Shift Solenoid E Electrical
P0774 Shift Solenoid E Intermittent
P0775 Pressure Control Solenoid B Malfunction
P0776 Pressure Control Solenoid B Performance
P0777 Pressure Control Solenoid B Stuck On
P0778 Pressure Control Solenoid B Electrical
P0779 Pressure Control Solenoid B Intermittent
P0780 Shift Malfunction
P0781 1-2 Shift Malfunction
P0782 2-3 Shift Malfunction
P0783 3-4 Shift Malfunction
P0784 4-5 Shift Malfunction
P0785 Shift/Timing Solenoid Malfunction/ 3-2 Shift Solenoid Circuit Electrical
P0786 Shift/Timing Solenoid Range/Performance
P0787 Shift/Timing Solenoid Low
P0788 Shift/Timing Solenoid High
P0789 Shift/Timing Solenoid Intermittent
P0790 Normal/Performance Switch Circuit Malfunction
P0791 Intermediate Shaft Speed Sensor Circuit
P0792 Intermediate Shaft Speed Sensor Circuit Range/Performance
P0793 Intermediate Shaft Speed Sensor Circuit No signal
P0794 Intermediate Shaft Speed Sensor Circuit Intermittent
P0795 Pressure Control Solenoid C
P0796 Pressure Control Solenoid C Performance or Stuck off
P0797 Pressure Control Solenoid C Stuck On
P0798 Pressure Control Solenoid C Electrical
P0799 Pressure Control Solenoid C Intermittent
P0801 Reverse Inhibit Control Circuit Malfunction
P0803 1-4 Upshift (Skip Shift) Solenoid Control Circuit Malfunction
P0804 1-4 Upshift (Skip Shift) Lamp Control Circuit Malfunction
P0805 Clutch Position Sensor Circuit Malfunction
P0806 Clutch Position Sensor Circuit Range/Performance Malfunction
P0807 Clutch Position Sensor Circuit Low Malfunction
P0808 Clutch Position Sensor Circuit High Malfunction
P0809 Clutch Position Sensor Circuit Intermittent Malfunction

P0810 Clutch Position Control Error
P0811 Excessive Clutch Slippage
P0812 Reverse Input Circuit
P0813 Reverse Output Circuit
P0814 Transmission Range Display Circuit
P0815 Upshift Switch Circuit
P0816 Downshift Switch Circuit
P0817 Starter Disable Circuit
P0818 Driveline Disconnect Switch Input Circuit
P0819 Up and Down Shift Switch to Transmission Range Correlation
P0820 Gear Lever X - Y Position Sensor Circuit
P0821 Gear Lever X Position Circuit
P0822 Gear Lever Y Position Circuit
P0823 Gear Lever X Position Circuit Intermittent
P0824 Gear Lever Y Position Circuit Intermittent
P0825 Gear Lever Push - Pull Switch (Shift Anticipate)
P0826 Up and Down Switch Input Circuit
P0827 Up and Down Switch Input Circuit Low
P0828 Up and Down Switch Input Circuit High
P0829 5-6 Shift
P0830 Clutch Pedal Switch A Circuit
P0831 Clutch Pedal Switch A Circuit Low
P0832 Clutch Pedal Switch A Circuit High
P0833 Clutch Pedal Switch B Circuit
P0834 Clutch Pedal Switch B Circuit Low
P0835 Clutch Pedal Switch B Circuit High
P0836 Four Wheel Drive (4WD) Switch Circuit
P0837 Four Wheel Drive (4WD) Switch Circuit Range/Performance
P0838 Four Wheel Drive (4WD) Switch Circuit Low
P0839 Four Wheel Drive (4WD) Switch Circuit High
P0840 Transmission Fluid Pressure Sensor/Switch A Circuit
P0841 Transmission Fluid Pressure Sensor/Switch A Circuit Range/Performance
P0842 Transmission Fluid Pressure Sensor/Switch A Circuit Low
P0843 Transmission Fluid Pressure Sensor/Switch A Circuit High
P0844 Transmission Fluid Pressure Sensor/Switch A Circuit Intermittent
P0845 Transmission Fluid Pressure Sensor/Switch B Circuit
P0846 Transmission Fluid Pressure Sensor/Switch B Circuit Range/Performance
P0847 Transmission Fluid Pressure Sensor/Switch B Circuit Low
P0848 Transmission Fluid Pressure Sensor/Switch B Circuit High
P0849 Transmission Fluid Pressure Sensor/Switch B Circuit Intermittent
P0850 Park / Neutral Switch Input Circuit
P0851 Park / Neutral Switch Input Circuit Low
P0852 Park / Neutral Switch Input Circuit High
P0853 Drive Switch Input Circuit
P0854 Drive Switch Input Circuit Low
P0855 Drive Switch Input Circuit High
P0856 Traction Control Input Signal
P0857 Traction Control Input Signal Range/Performance
P0858 Traction Control Input Signal Low
P0859 Traction Control Input Signal High
P0860 Gear Shift Module Communication Circuit
P0861 Gear Shift Module Communication Circuit Low
P0862 Gear Shift Module Communication Circuit High
P0863 TCM Communication Circuit
P0864 TCM Communication Circuit Range/Performance
P0865 TCM Communication Circuit Low
P0866 TCM Communication Circuit High
P0867 Transmission Fluid Pressure

P0868 Transmission Fluid Pressure Low
P0869 Transmission Fluid Pressure High
P0870 Transmission Fluid Pressure Sensor/Switch C Circuit
P0871 Transmission Fluid Pressure Sensor/Switch C Circuit Range/Performance
P0872 Transmission Fluid Pressure Sensor/Switch C Circuit Low
P0873 Transmission Fluid Pressure Sensor/Switch C Circuit High
P0874 Transmission Fluid Pressure Sensor/Switch C Circuit Intermittent
P0875 Transmission Fluid Pressure Sensor/Switch D Circuit
P0876 Transmission Fluid Pressure Sensor/Switch D Circuit Range/Performance
P0877 Transmission Fluid Pressure Sensor/Switch D Circuit Low
P0878 Transmission Fluid Pressure Sensor/Switch D Circuit High
P0879 Transmission Fluid Pressure Sensor/Switch D Circuit Intermittent
P0880 TCM Power Input Signal
P0881 TCM Power Input Signal Range/Performance
P0882 TCM Power Input Signal Low
P0883 TCM Power Input Signal High
P0884 TCM Power Input Signal Intermittent
P0885 TCM Power Relay Control Circuit /Open
P0886 TCM Power Relay Control Circuit Low
P0887 TCM Power Relay Control Circuit High
P0888 TCM Power Relay Sense Circuit
P0889 TCM Power Relay Sense Circuit Range/Performance
P0890 TCM Power Relay Sense Circuit Low
P0891 TCM Power Relay Sense Circuit High
P0892 TCM Power Relay Sense Circuit Intermittent
P0893 Multiple Gears Engaged
P0894 Transmission Component Slipping
P0895 Shift Time Too Short
P0896 Shift Time Too Long
P0897 Transmission Fluid Deteriorated
P0898 Transmission Control System MIL Request Circuit Low
P0899 Transmission Control System MIL Request Circuit High
P0900 Clutch Actuator Circuit / Open
P0901 Clutch Actuator Circuit Range/Performance
P0902 Clutch Actuator Circuit Low
P0903 Clutch Actuator Circuit High
P0904 Gate Select Position Circuit [senses left / right position]
P0905 Gate Select Position Circuit Range/Performance
P0906 Gate Select Position Circuit Low
P0907 Gate Select Position Circuit High
P0908 Gate Select Position Circuit Intermittent
P0909 Gate Select Control Error
P0910 Gate Select Actuator Circuit / Open [left / right motion]
P0911 Gate Select Actuator Circuit Range/Performance
P0912 Gate Select Actuator Circuit Low
P0913 Gate Select Actuator Circuit High
P0914 Gear Shift Position Circuit [senses forward / rearward position, odd / even gears]
P0915 Gear Shift Position Circuit Range/Performance
P0916 Gear Shift Position Circuit Low
P0917 Gear Shift Position Circuit High
P0918 Gear Shift Position Circuit Intermittent
P0919 Gear Shift Position Control Error
P0920 Gear Shift Forward Actuator Circuit / Open [forward motion, odd gears, 1,3,5]
P0921 Gear Shift Forward Actuator Circuit Range/Performance
P0922 Gear Shift Forward Actuator Circuit Low
P0923 Gear Shift Forward Actuator Circuit High
P0924 Gear Shift Reverse Actuator Circuit / Open [rearward motion, even gears, 2,4,6]
P0925 Gear Shift Reverse Actuator Circuit Range/Performance

P0926 Gear Shift Reverse Actuator Circuit Low
P0927 Gear Shift Reverse Actuator Circuit High
P0928 Gear Shift Lock Solenoid Circuit / Open
P0929 Gear Shift Lock Solenoid Circuit Range/Performance
P0930 Gear Shift Lock Solenoid Circuit Low
P0931 Gear Shift Lock Solenoid Circuit High
P0932 Hydraulic Pressure Sensor Circuit
P0933 Hydraulic Pressure Sensor Range/Performance
P0934 Hydraulic Pressure Sensor Circuit Low Input
P0935 Hydraulic Pressure Sensor Circuit High Input
P0936 Hydraulic Pressure Sensor Circuit Intermittent
P0937 Hydraulic Oil Temperature Sensor Circuit
P0938 Hydraulic Oil Temperature Sensor Range/Performance
P0939 Hydraulic Oil Temperature Sensor Circuit Low Input
P0940 Hydraulic Oil Temperature Sensor Circuit High Input
P0941 Hydraulic Oil Temperature Sensor Circuit Intermittent
P0942 Hydraulic Pressure Unit
P0943 Hydraulic Pressure Unit Cycling Period Too Short
P0944 Hydraulic Pressure Unit Loss of Pressure
P0945 Hydraulic Pump Relay Circuit / Open
P0946 Hydraulic Pump Relay Circuit Range/Performance
P0947 Hydraulic Pump Relay Circuit Low
P0948 Hydraulic Pump Relay Circuit High
P0949 ASM Adaptive Learning Not Done
P0950 ASM Control Circuit [Up / Down / Auto / etc]
P0951 ASM Control Circuit Range/Performance
P0952 ASM Control Circuit Low
P0953 ASM Control Circuit High
P0954 ASM Control Circuit Intermittent
P0955 ASM Mode Circuit [Perf / Winter / Sport / etc]
P0956 ASM Mode Circuit Range/Performance
P0957 ASM Mode Circuit Low
P0958 ASM Mode Circuit High
P0959 ASM Mode Circuit Intermittent
P0960 Pressure Control Solenoid A Control Circuit / Open
P0961 Pressure Control Solenoid A Control Circuit Range/Performance
P0962 Pressure Control Solenoid A Control Circuit Low
P0963 Pressure Control Solenoid A Control Circuit High
P0964 Pressure Control Solenoid B Control Circuit / Open
P0965 Pressure Control Solenoid B Control Circuit Range/Performance
P0966 Pressure Control Solenoid B Control Circuit Low
P0967 Pressure Control Solenoid B Control Circuit High
P0968 Pressure Control Solenoid C Control Circuit / Open
P0969 Pressure Control Solenoid C Control Circuit Range/Performance
P0970 Pressure Control Solenoid C Control Circuit Low
P0971 Pressure Control Solenoid C Control Circuit High
P0972 Shift Solenoid A Control Circuit Range/Performance
P0973 Shift Solenoid A Control Circuit Low
P0974 Shift Solenoid A Control Circuit High
P0975 Shift Solenoid B Control Circuit Range/Performance
P0976 Shift Solenoid B Control Circuit Low
P0977 Shift Solenoid B Control Circuit High
P0978 Shift Solenoid C Control Circuit Range/Performance
P0979 Shift Solenoid C Control Circuit Low
P0980 Shift Solenoid C Control Circuit High
P0981 Shift Solenoid D Control Circuit Range/Performance
P0982 Shift Solenoid D Control Circuit Low
P0983 Shift Solenoid D Control Circuit High

P0984 Shift Solenoid E Control Circuit Range/Performance
P0985 Shift Solenoid E Control Circuit Low
P0986 Shift Solenoid E Control Circuit High
P0987 Transmission Fluid Pressure Sensor/Switch E Circuit
P0988 Transmission Fluid Pressure Sensor/Switch E Circuit Range/Performance
P0989 Transmission Fluid Pressure Sensor/Switch E Circuit Low
P0990 Transmission Fluid Pressure Sensor/Switch E Circuit High
P0991 Transmission Fluid Pressure Sensor/Switch E Circuit Intermittent
P0992 Transmission Fluid Pressure Sensor/Switch F Circuit
P0993 Transmission Fluid Pressure Sensor/Switch F Circuit Range/Performance
P0994 Transmission Fluid Pressure Sensor/Switch F Circuit Low
P0995 Transmission Fluid Pressure Sensor/Switch F Circuit High
P0996 Transmission Fluid Pressure Sensor/Switch F Circuit Intermittent
P0997 Shift Solenoid F Control Circuit Range/Performance
P0998 Shift Solenoid F Control Circuit Low
P0999 Shift Solenoid F Control Circuit High
P1100 MAF Sensor Intermittent/ Check of all OBDII Systems Not Complete
P1101 MAF Sensor Out Of Self Test Range./KOER Not Able To Complete KOER Aborted
P1102 MAF Sensor In Range But Lower Than Expected
P1103 MAF Sensor In Range But Higher Than Expected
P1104 MAF Ground Malfunction
P1105 Dual Alternator Upper Fault
P1106 Dual Alternator Lower Fault/ Manifold Absolute Pressure (MAP) Sensor Circuit Intermittent High Voltage
P1107 Dual Alternator Lower Circuit Malfunction/ Manifold Absolute Pressure (MAP) Sensor Circuit Intermittent Low Voltage.
P1108 Dual Alternator Battery Lamp Circuit Malfunction
P1109 IAT - B Sensor Intermittent
P1110 IAT Sensor (D/C) Open/Short
P1111 Intake Air Temperature (IAT) Sensor Circuit Intermittent High Voltage
P1112 Intake Air Temperature (IAT) Sensor Circuit Intermittent Low Voltage
P1113 IAT Sensor Open/Short
P1114 Engine Coolant Temperature (ECT) Sensor Circuit Intermittent Low Voltage/IAT - B Circuit Low Input
P1115 Engine Coolant Temperature (ECT) Sensor Circuit Intermittent High Voltage/IAT - B Circuit High Input
P1116 Engine Coolant sensor out of range/ECT Sensor Out Of Self Test Range
P1117 Engine Coolant Sensor intermittent/ECT Sensor Intermittent
P1118 Manifold Absolute Temperature Circuit Low Input
P1119 Manifold Absolute Temperature Circuit High Input
P1120 Throttle position sensor out of range
P1121 Throttle Position (TP) Sensor Circuit Intermittent High Voltage
P1122 Throttle Position (TP) Sensor Circuit Intermittent Low Voltage
P1123 Throttle Position Sensor In Range But Higher Than Expected
P1124 Throttle Position Sensor Out Of Self Test Range
P1125 Throttle position sensor intermittent
P1126 Throttle Position (Narrow Range) Sensor Circuit Malfunction
P1127 Exhaust Not Warm, Downstream O2 Sensor
P1128 Upstream Heated O2 Sensors Swapped
P1129 Downstream Heated O2 Sensors Swapped
P1130 Lack Of HO2S Switch - Adaptive Fuel At Limit
P1131 Lack Of HO2S Switch - Sensor Indicates Lean
P1132 Lack Of HO2S Switch - Sensor Indicates Rich
P1133 HO2S Insufficient Switching Sensor 1
P1134 HO2S Transition Time Ratio Sensor 1
P1135 Pedal Position Sensor A Circuit Intermittent
P1136 Fan Control Circuit Malfunction
P1137 Lack Of HO2S Switch - Sensor Indicates Lean
P1138 Lack Of HO2S12 Switch - Sensor Indicates Rich
P1139 Water In Fuel Indicator Circuit Malfunction
P1140 Water In Fuel Condition

P1141 Fuel Restriction Indicator Circuit Malfunction
P1142 Fuel Restriction Condition
P1143 Air Assist Control Valve Range/Performance
P1144 Air Assist Control Valve Circuit Malfunction
P1150 Lack Of HO2S21 Switch - Adaptive Fuel At Limit
P1151 Lack Of HO2S21 Switch - Sensor Indicates Lean
P1152 Lack Of HO2S21 Switch - Sensor Indicates Rich
P1153 Bank 2 Fuel Control Shifted Lean
P1154 Bank 2 Fuel Control Shifted Rich
P1155 Alternative Fuel Controller
P1156 Fuel Select Switch Malfunction
P1157 Lack Of HO2S22 Switch - Sensor Indicates Lean
P1158 Lack Of HO2S22 Switch - Sensor Indicates Rich
P1159 Fuel Stepper Motor Malfunction
P1167 Invalid Test, throttle not depressed
P1168 Fuel Rail Sensor In-Range Low Failure
P1169 Fuel Rail Sensor In-Range High Failure
P1170 ESO - Engine Shut Off Solenoid Fault
P1171 Rotor Sensor Fault
P1172 Rotor Control Fault
P1173 Rotor Calibration Fault
P1174 Cam Sensor Fault
P1175 Cam Control Fault
P1176 Cam Calibration Fault
P1177 Synchronization Fault
P1178 (open)
P1180 Fuel Delivery System Malfunction - Low
P1181 Fuel Delivery System Malfunction - High
P1182 Fuel Shut Off Solenoid Malfunction
P1183 Engine Oil Temperature Circuit Malfunction
P1184 Engine Oil Temperature Out Of Self Test Range
P1185 FTS High - Fuel Pump Temperature Sensor High
P1186 FTS Low - Fuel Pump Temperature Sensor Low
P1187 Variant Selection
P1188 Calibration Memory Fault
P1189 Pump Speed Signal Fault
P1190 Calibration Resistor Out Of Range
P1191 Key Line Voltage
P1192 Voltage External
P1193 EGR Drive Overcurrent
P1194 ECU A/D Converter
P1195 SCP HBCC Failed To Initialize
P1196 Key Off Voltage High
P1197 Key Off Voltage Low
P1198 Pump Rotor Control Under fuelling
P1199 Fuel Level Input Circuit Low
P1200 Injector Control Circuit
P1201 Injector Circuit Open / Shorted - Cylinder #1
P1202 Injector Circuit Open / Shorted - Cylinder #2
P1203 Injector Circuit Open / Shorted - Cylinder #3
P1204 Injector Circuit Open / Shorted - Cylinder #4
P1205 Injector Circuit Open / Shorted - Cylinder #5
P1206 Injector Circuit Open / Shorted - Cylinder #6
P1209 Injector Control Pressure System Fault
P1210 Injector Control Pressure Above Expected Level
P1211 Injector Control Pressure Sensor Above / Below Desired
P1212 Injector Control Pressure Not Detected During Crank
P1213 Start Injector Circuit Malfunction

P1214 Pedal Position Sensor B Circuit Intermittent
P1215 Pedal Position Sensor C Circuit Low Input
P1216 Pedal Position Sensor C Circuit High Input
P1217 Pedal Position Sensor C Circuit Intermittent
P1218 CID High
P1219 CID Low
P1220 Series Throttle Control System Malfunction
P1221 Traction Control System Malfunction
P1222 Traction Control Output Circuit Malfunction
P1223 Pedal Demand Sensor B Circuit High Input
P1224 Throttle Position Sensor B Out Of Self Test Range
P1225 Needle Lift Sensor Malfunction
P1226 Control Sleeve Sensor Malfunction
P1227 Wastegate Failed Closed (Over Pressure)
P1228 Wastegate Failed Open (Under Pressure)
P1229 Intercooler Pump Driver Fault
P1230 Fuel Pump Low Speed Malfunction
P1231 Fuel Pump Secondary Circuit Low, High Speed
P1232 Fuel Pump Speed Primary Circuit Malfunction
P1233 Fuel Pump Driver Module Off Line
P1234 Fuel Pump Driver Module Off Line
P1235 Fuel Pump Control Out Of Range
P1236 Fuel Pump Control Out Of Range
P1237 Fuel Pump Secondary Circuit Malfunction
P1238 Fuel Pump Secondary Circuit Malfunction
P1239 Speed Fuel Pump Positive Feed Fault
P1240 Sensor Power Supply Malfunction
P1241 Sensor Power Supply Low Input
P1242 Sensor Power Supply High Input
P1243 Second Fuel Pump Faulty or Ground Fault
P1244 Alternator Load Input Failed High
P1245 Alternator Load Input Failed Low
P1246 Alternator Load Input Failed
P1247 Turbo Boost Pressure Low
P1248 Turbo Boost Pressure Not Detected
P1249 Wastegate Control Valve Performance
P1250 PRC Solenoid Circuit Malfunction
P1251 Air Mixture Solenoid Circuit Malfunction
P1252 Pedal Correlation PDS1 and LPDS High
P1253 Pedal Correlation PDS1 and LPDS Low
P1254 Pedal Correlation PDS2 and LPDS High
P1255 Pedal Correlation PDS2 and LPDS Low
P1256 Pedal Correlation PDS1 and HPDS
P1257 Pedal Correlation PDS2 and HPDS
P1258 Pedal Correlation PDS1 and PDS2
P1259 Immobilizer to PCM Signal Error
P1260 THEFT Detected, Vehicle Immobilized
P1261 Cylinder #1 High To Low Side Short
P1262 Cylinder #2 High To Low Side Short
P1263 Cylinder #3 High To Low Side Short
P1264 Cylinder #4 High To Low Side Short
P1265 Cylinder #5 High To Low Side Short
P1266 Cylinder #6 High To Low Side Short
P1267 Cylinder #7 High To Low Side Short
P1268 Cylinder #8 High To Low Side Short
P1269 Immobilizer Code Not Programmed
P1270 Engine RPM Or Speed Limiter Reached
P1271 Cylinder #1 High To Low Side Open

P1272 Cylinder #2 High To Low Side Open
P1273 Cylinder #3 High To Low Side Open
P1274 Cylinder #4 High To Low Side Open
P1275 Cylinder #5 High To Low Side Open
P1276 Cylinder #6 High To Low Side Open
P1277 Cylinder #7 High To Low Side Open
P1278 Cylinder #8 High To Low Side Open
P1280 Injection Control Pressure Out Of Range Low
P1281 Injection Control Pressure Out Of Range High
P1282 Excessive Injection Control Pressure
P1283 IPR Circuit Failure
P1284 Aborted KOER - ICP Failure
P1285 Cylinder head over temp sensed
P1286 Fuel Pulse In Range But Lower Than Expected
P1287 Fuel Pulse In Range But Higher Than Expected
P1288 Cylinder Head Temp Sensor Out Of Self Test Range
P1289 Cylinder Head Temp Sensor High Input
P1290 Cylinder Head Temp Sensor Low Input
P1291 Injector High Side Short To GND Or VBATT - Bank 1
P1292 Injector High Side Short To GND Or VBATT - Bank 2
P1293 Injector High Side Open - Bank 1
P1294 Injector High Side Open - Bank 2/Target idle not reached
P1295 Multi-faults - Bank 1 - With Low Side Shorts
P1296 Multi-faults - Bank 2 - With Low Side Shorts
P1297 Injector High Sides Shorted Together
P1298 IDM Failure
P1299 Cylinder Head Over temperature Protection Active
P1300 Boost Calibration Fault
P1301 Boost Calibration High
P1302 Boost Calibration Low
P1303 EGR Calibration Fault
P1304 EGR Calibration High
P1305 EGR Calibration Low
P1306 Kick down Relay Pull - In Circuit Fault
P1307 Kick down Relay Hold Circuit Fault
P1308 A/C Clutch Circuit Fault
P1309 Misfire Monitor AICE Chip Fault
P1313 Misfire Rate Catalyst Damage Fault - Bank 1
P1314 Misfire Rate Catalyst Damage Fault - Bank 2
P1315 Persistent Misfire
P1316 Injector Circuit / IDM Codes Detected
P1317 Injector Circuit / IDM Codes Not Updated
P1336 Crank / Cam Sensor Range / Performance
P1340 Camshaft Position Sensor B Circuit Malfunction
P1341 Camshaft Position Sensor B Range / Performance
P1345 SGC (Cam Position) Sensor Circuit Malfunction/ Crankshaft Position - Camshaft Position Correlation
P1346 Fuel Level Sensor B Circuit Malfunction
P1347 Fuel Level Sensor B Range / Performance
P1348 Fuel Level Sensor B Circuit Low
P1349 Fuel Level Sensor B Circuit High
P1350 Fuel Level Sensor B Intermittent/Bypass Line Monitor
P1351 IDM Input Circuit Malfunction/ Ignition Coil Control Circuit High Voltage
P1352 Ignition Coil A Primary Circuit Malfunction
P1353 Ignition Coil B Primary Circuit Malfunction
P1354 Ignition Coil C Primary Circuit Malfunction
P1355 Ignition Coil D Primary Circuit Malfunction
P1360 Ignition Coil A Secondary Circuit Malfunction
P1361 Ignition Control (IC) Circuit Low Voltage

P1362 Ignition Coil C Secondary Circuit Malfunction
P1363 Ignition Coil D Secondary Circuit Malfunction
P1364 Ignition Coil Primary Circuit Failure
P1365 Ignition Coil Secondary Circuit Failure
P1366 Ignition Spare
P1367 Ignition Spare
P1368 Ignition Spare
P1369 Engine Temperature Light Monitor Failure
P1370 Insufficient RMP Increase During Spark Test
P1371 Ignition Coil - Cylinder 1 - Early Activation Fault
P1372 Ignition Coil - Cylinder 2 - Early Activation Fault
P1373 Ignition Coil - Cylinder 3 - Early Activation Fault
P1374 Crankshaft Position (CKP)/Ignition Coil - Cylinder 4 - Early Activation Fault
P1375 Ignition Coil - Cylinder 5 - Early Activation Fault
P1376 Ignition Coil - Cylinder 6 - Early Activation Fault
P1380 Misfire Detected - Rough Road Data Not Available
P1381 Variable Cam Timing Over advanced (Bank #1)/ Misfire Detected - No Communication with BCM
P1382 Variable Cam Timing Solenoid #1 Circuit Malfunction
P1383 Variable Cam Timing Over retarded (Bank #1)
P1384 VVT Solenoid A Malfunction
P1385 Variable Cam Timing Solenoid B Malfunction
P1386 Variable Cam Timing Over advanced (Bank #2)
P1387 Variable Cam Timing Solenoid #2 Circuit Malfunction
P1388 Variable Cam Timing Over retarded (Bank #2)
P1389 Glow Plug Circuit High Side Low Input
P1390 Octane Adjust Pin Out Of Self Test Range
P1391 Glow Plug Circuit Low Input (Bank #1)
P1392 Glow Plug Circuit High Input (Bank #1)
P1393 Glow Plug Circuit Low Input (Bank #2)
P1394 Glow Plug Circuit High Input (Bank #2)
P1395 Glow Plug Monitor Fault (Bank #1)
P1396 Glow Plug Monitor Fault (Bank #2)
P1397 System Voltage Out Of Self Test Range
P1398 VVT Solenoid B Circuit High Input
P1399 Glow Plug Circuit High Side, High Input
P1400 DPFE Circuit Low Input
P1401 DPFE Circuit High Input
P1402 EGR Metering Orifice Restricted
P1403 DPFE Sensor Hoses Reversed
P1404 IAT - B Circuit Malfunction/ Exhaust Gas Recirculation Closed Position Performance
P1405 DPFE Sensor Upstream Hose Off Or Plugged
P1406 Exhaust Gas Recirculation (EGR) Position Sensor Performance
P1407 EGR No Flow Detected
P1408 EGR Flow Out Of Self Test Range
P1409 EVR Control Circuit Malfunction
P1411 SAI System Incorrect Downstream Flow Detected
P1413 SAI System Monitor Circuit Low Input
P1414 SAI System Monitor Circuit High Input
P1415 Air Pump Circuit Malfunction/ (AIR) System Bank 1
P1416 Port Air Circuit Malfunction/ (AIR) System Bank 2
P1417 Port Air Relief Circuit Malfunction
P1418 Split Air #1 Circuit Malfunction
P1419 Split Air #2 Circuit Malfunction
P1420 Catalyst Temperature Sensor Failure
P1421 Catalyst Damage
P1422 EGI Temperature Sensor Failure
P1423 EGI Functionality Test Failed
P1424 EGI Glow Plug Primary Failure

P1425 EGI Glow Plug Secondary Failure
P1426 EGI Mini - MAF Failed Out Of Range
P1427 EGI Mini - MAF Failed Short Circuit
P1428 EGI Mini - MAF Failed Open Circuit
P1429 Electric Air Pump Primary Failure
P1430 Electric Air Pump Secondary Failure
P1433 A/C Refrigerant Temperature Circuit Low
P1434 A/C Refrigerant Temperature Circuit High
P1435 A/C Refrigerant Temperature Circuit Range/Performance
P1436 A/C Evaporator Air Temperature Circuit Low
P1437 A/C Evaporator Air Temperature Circuit High
P1438 A/C Evaporator Air Temperature Circuit Range/Performance
P1439 Floor Temperature Switch Circuit Malfunction
P1440 Purge Valve Stuck Open
P1441 Evaporative Emission (EVAP) System Flow During Non-Purge Chevrolet Only
P1441 Evaporative Emission (EVAP) System Flow During Non-Purge Oldsmobile Only
P1442 Evaporative Emission Control System Leak Detected
P1443 Evaporative Emission Control System Control Valve
P1444 Purge Flow Sensor Circuit Low Input
P1445 Purge Flow Sensor Circuit High Input
P1446 Evaporative Vac Solenoid Circuit Malfunction
P1447 ELC System Closure Valve Flow Fault
P1448 ELC System 2 Fault
P1449 Evaporative Check Solenoid Circuit Malfunction
P1450 Unable To Bleed Up Fuel Tank Vacuum
P1451 Evap Emission Control Sys Vent Control Valve Circuit
P1452 Unable To Bleed - Up Vacuum in Tank
P1453 Fuel Tank Pressure Relief Valve Malfunction
P1454 Evaporative System Vacuum Test Malfunction
P1455 Evap Emission Control Sys Leak Detected (Gross Leak/No Flow)
P1456 Fuel Tank Temperature Sensor Circuit Malfunction
P1457 Unable To Pull Vacuum In Tank
P1460 Wide open throttle A/C cut off relay circuit
P1461 A/C pressure sensor circuit voltage low
P1462 A/C pressure sensor circuit voltage high
P1463 A/C Pressure Sensor Insufficient Pressure Change
P1464 A/C Demand Out of Self Test Range
P1465 A/C Relay Circuit Malfunction
P1466 A/C Refrigerant Temperature Sensor/Circuit Malfunction
P1467 A/C Compressor Temperature Sensor Malfunction
P1468 SSPOD Open Circuit or Closed Circuit Fault
P1469 Low A/C Cycling Period
P1470 A/C Cycling Period Too Short
P1471 Electro drive Fan 1 Operational Failure (Driver Side)
P1472 Electro drive Fan 2 Operational Failure (Passenger Side)
P1473 Fan Secondary High With Fan(s) Off
P1474 Low Fan Control Primary Circuit Malfunction
P1475 Fan Relay (Low) Circuit Malfunction
P1476 Fan Relay (High) Circuit Malfunction
P1477 Additional Fan Relay Circuit Malfunction
P1478 Cooling Fan Driver Fault
P1479 High Fan Control Primary Circuit Malfunction
P1480 Fan Secondary Low with Low Fan On
P1481 Fan Secondary Low With High Fan On
P1482 SCP
P1483 Power To Fan Circuit Overcurrent
P1484 Open Power To Ground VCRM
P1485 EGRV Circuit Malfunction

P1486 EGRA Circuit Malfunction
P1487 EGRCHK Solenoid Circuit Malfunction
P1490 Secondary Air Relief Solenoid Circuit Malfunction
P1491 Secondary Switch Solenoid Circuit Malfunction
P1492 APLSOL Solenoid Circuit Malfunction
P1493 RCNT Solenoid Circuit Malfunction
P1494 SPCUT Solenoid Circuit Malfunction
P1495 TCSPL Solenoid Circuit Malfunction
P1500 Vehicle Speed Sensor Intermittent
P1501 Vehicle Speed Sensor Out Of Self Test Range
P1502 Vehicle Speed Sensor Intermittent Malfunction
P1503 Auxiliary Speed Sensor Fault
P1504 Idle Air Control Circuit Malfunction
P1505 Idle Air Control System At Adaptive Clip
P1506 Idle Air Control Over speed Error
P1507 Idle Air Control Under speed Error
P1508 Idle Control System Circuit Open
P1509 Idle Control System Circuit Shorted
P1510 Idle Signal Circuit Malfunction
P1511 Idle Switch (Electric Control Throttle) Circuit Malfunction
P1512 Intake Manifold Runner Control (Bank 1) Stuck Closed
P1513 Intake Manifold Runner Control (Bank 2) Stuck Closed
P1514 High Load Neutral/Drive Fault
P1515 Electric Current Circuit Malfunction
P1516 IMRC Input Error (Bank 1)
P1517 IMRC Input Error (Bank 2)
P1518 Intake Manifold Runner Control (Stuck Open)
P1519 Intake Manifold Runner Control (Stuck Closed)
P1520 Intake Manifold Runner Control Circuit Malfunction
P1521 Variable Intake Solenoid #1 Circuit Malfunction
P1522 Variable Intake Solenoid #2 Circuit Malfunction
P1523 IVC Solenoid Circuit Malfunction
P1524 Variable Intake Solenoid System
P1525 Air Bypass Valve System
P1526 Air Bypass System
P1527 Accelerate Warmup Solenoid Circuit Malfunction
P1528 Subsidiary Throttle Valve Solenoid Circuit Malfunction
P1529 SCAIR Solenoid Circuit Malfunction
P1530 A/C Clutch Circuit Malfunction
P1531 Invalid Test - Accelerator Pedal Movement
P1532 IMCC Circuit Malfunction, Bank B
P1533 AAI Circuit Malfunction
P1534 Inertia Switch Activated
P1535 Blower Fan Speed Circuit Range/Performance
P1536 Parking Brake Switch Circuit Failure
P1537 Intake Manifold Runner Control (Bank 1) Stuck Open
P1538 Intake Manifold Runner Control (Bank 2) Stuck Open
P1539 Power To A/C Clutch Circuit Overcurrent
P1540 Air Bypass Valve Circuit Malfunction
P1549 IMCC Circuit Malfunction, Bank B
P1550 PSPS Out Of Self Test Range
P1565 Speed Control Command Switch Out of Range High
P1566 Speed Control Command Switch Out of Range Low
P1567 Speed Control Output Circuit Continuity
P1568 Speed Control Unable to Hold Speed
P1571 Brake Switch Malfunction
P1572 Brake Pedal Switch Circuit Malfunction
P1573 Throttle Position Not Available

P1574 Throttle Position Sensor Disagreement between Sensors
P1575 Pedal Position Out of Self Test Range
P1576 Pedal Position Not Available
P1577 Pedal Position Sensor Disagreement between Sensors
P1578 ETC Power Less Than Demand
P1579 ETC In Power Limiting Mode
P1580 Electronic Throttle Monitor PCM Override
P1581 Electronic Throttle Monitor Malfunction
P1582 Electronic Throttle Monitor Data Available
P1583 Electronic Throttle Monitor Cruise Disable
P1584 TCU Detected IPE Circuit Malfunction
P1585 Throttle Control Unit Malfunction
P1586 Throttle Control Unit Throttle Position Malfunction
P1587 Throttle Control Unit Modulated Command Malfunction
P1588 Throttle Control Unit Detected Loss of Return Spring
P1589 TCU Unable To Control Desired Throttle Angle
P1600 Loss of KAM Power; Open Circuit
P1601 ECM/TCM Serial Communication Error
P1602 Immobilizer/ECM Communication Error
P1603 EEPROM Malfunction
P1604 Code Word Unregistered
P1605 Keep Alive Memory Test Failure
P1606 ECM Control Relay O/P Circuit Malfunction
P1607 MIL O/P Circuit Malfunction
P1608 Internal ECM Malfunction
P1609 Diagnostic Lamp Driver Fault
P1610 SBDS Interactive Codes
P1611 SBDS Interactive Codes
P1612 SBDS Interactive Codes
P1613 SBDS Interactive Codes
P1614 SBDS Interactive Codes
P1615 SBDS Interactive Codes
P1616 SBDS Interactive Codes
P1617 SBDS Interactive Codes
P1618 SBDS Interactive Codes
P1619 SBDS Interactive Codes
P1620 SBDS Interactive Codes
P1621 Control Module Long Term Memory Performance/ Immobilizer Code Words Do Not Match
P1622 Immobilizer ID Does Not Match
P1623 Immobilizer Code Word/ID Number Write Failure
P1624 Anti Theft System
P1625 B+ Supply To VCRM Fan Circuit Malfunction
P1626 Theft Deterrent Fuel Enable Signal Not Received/ B+ Supply To VCRM A/C Circuit Malfunction
P1627 Module Supply Voltage Out Of Range
P1628 Module Ignition Supply Input Malfunction
P1629 Internal Voltage Regulator Malfunction
P1630 Internal Vref Malfunction
P1631 Theft Deterrent Start Enable Signal Not Correct/ Main Relay Malfunction (Power Hold)
P1632 Smart Alternator Faults Sensor/Circuit Malfunction
P1633 KAM Voltage Too Low
P1634 Data Output Link Circuit Failure
P1635 Tire / Axle Ratio Out of Acceptable Range
P1636 Inductive Signature Chip Communication Error
P1637 Can Link ECM/ABSCM Circuit / Network Malfunction
P1638 Can Link ECM/INSTM Circuit / Network Malfunction
P1639 Vehicle ID Block Corrupted or Not Programmed
P1640 Powertrain DTCs Available in Another Module
P1641 Fuel Pump Primary Circuit Failure

P1642 Fuel Pump Monitor Circuit High Input
P1643 Fuel Pump Monitor Circuit Low Input
P1644 Fuel Pump Speed Control Circuit Malfunction
P1645 Fuel Pump Resistor Switch Circuit Malfunction
P1650 PSP Switch Out of Self Test Range
P1651 PSP Switch Input Malfunction
P1652 IAC Monitor Disabled by PSP Switch Failed On
P1653 Power Steering Output Circuit Malfunction
P1654 Recirculation Override Circuit Malfunction
P1655 Starter Disable Circuit Malfunction
P1660 Output Circuit Check Signal High
P1661 Output Circuit Check Signal Low
P1662 IDM_EN Circuit Failure
P1663 Fuel Demand Command Signal Circuit Malfunction
P1667 CI Circuit Malfunction
P1668 PCM - IDM Communications Error
P1670 Electronic Feedback Signal Not Detected
P1680 Metering Oil Pump Malfunction
P1681 Metering Oil Pump Malfunction
P1682 Metering Oil Pump Malfunction
P1683 Metering Oil Pump Temperature Sensor Circuit Malfunction
P1684 Metering Oil Pump Position Sensor Circuit Malfunction
P1685 Metering Oil Pump Stepping Motor Circuit Malfunction
P1686 Metering Oil Pump Stepping Motor Circuit Malfunction
P1687 Metering Oil Pump Stepping Motor Circuit Malfunction
P1688 Metering Oil Pump Stepping Motor Circuit Malfunction
P1689 Oil Pressure Control Solenoid Circuit Malfunction
P1690 Wastegate Solenoid Circuit Malfunction
P1691 Turbo Pressure Control Solenoid Circuit Malfunction
P1692 Turbo Control Solenoid Circuit Malfunction
P1693 Turbo Charge Control Circuit Malfunction
P1694 Turbo Charge Relief Circuit Malfunction
P1700 Transmission Indeterminate Failure (Failed to Neutral)
P1701 Reverse Engagement Error
P1702 TRS Circuit Intermittent Malfunction
P1703 Brake Switch Out Of Self Test Range
P1704 Digital TRS Failed to Transition States in KOEO / KOER
P1705 Not in P or N During KOEO / KOER
P1706 High Vehicle Speed Observed in Park
P1707 Transfer Case Neutral Indicator Hard Fault Present
P1708 Clutch Switch Circuit Malfunction
P1709 PNP Switch Out Of Self Test Range
P1711 TFT Sensor Out Of Self Test Range
P1712 Trans Torque Reduction Request Signal Malfunction
P1713 TFT Sensor In Range Failure Low Value
P1714 SSA Inductive Signature Malfunction
P1715 SSB Inductive Signature Malfunction
P1716 SSC Inductive Signature Malfunction
P1717 SSD Inductive Signature Malfunction
P1718 TFT Sensor In Range Failure High
P1720 Vehicle Speed (Meter) Circuit Malfunction
P1721 Gear 1 Incorrect Ratio
P1722 Gear 2 Incorrect Ratio
P1723 Gear 3 incorrect Ratio
P1724 Gear 4 Incorrect Ratio
P1725 Insufficient Engine Speed Increase During Self Test
P1726 Insufficient Engine Speed Decrease During Self Test
P1727 Coast Clutch Solenoid Inductive Signature Malfunction

P1728 Transmission Slip Error
P1729 4x4 Low Switch Error
P1730 Gear Control Malfunction 2,3,5
P1731 1-2 Shift Malfunction
P1732 2-3 Shift Malfunction
P1733 3-4 Shift Malfunction
P1734 Gear Control Malfunction
P1735 First Gear Switch Circuit Malfunction
P1736 Second Gear Switch Circuit Malfunction
P1737 Lockup Solenoid System
P1738 Shift Time Error
P1739 Slip Solenoid System
P1740 Torque Converter Clutch Inductive Signature Malfunction
P1741 Torque Converter Clutch Control Error
P1742 Torque Converter Clutch Solenoid Failed On
P1743 Torque Converter Clutch Solenoid Failed On
P1744 Torque Converter Clutch System Performance
P1745 Line Pressure Solenoid System
P1746 Pressure Control Solenoid "A" Open Circuit
P1747 Pressure Control Solenoid "A" Short Circuit
P1748 EPC Malfunction
P1749 Pressure Control Solenoid Failed Low
P1751 Shift Solenoid A Performance
P1754 Coast Clutch Solenoid Circuit Malfunction
P1755 Intermediate Speed Sensor (ISS) Malfunction
P1756 Shift Solenoid B Performance
P1760 Pressure Control Solenoid "A" Short Circuit
P1761 Shift Solenoid C Performance
P1762 Overdrive Band Failed Off
P1765 Timing Solenoid Circuit Malfunction
P1767 Torque Converter Clutch Circuit Malfunction
P1768 Performance / Normal / Winter Mode Input Malfunction
P1769 AG4 Transmission Torque Modulation Fault
P1770 Clutch Solenoid Circuit Malfunction
P1775 Transmission System MIL Fault
P1776 Ignition Retard Request Duration Fault
P1777 Ignition Retard Request Circuit Fault
P1778 Transmission Reverse I/P Circuit Malfunction
P1779 TCIL Circuit Malfunction
P1780 Trans Control Switch (O/D Cancel) Out of Self Test Range
P1781 4X4 Switch Out of Self Test Range
P1782 P/ES Circuit Out Of Self Test Range
P1783 Transmission Over temperature Condition
P1784 Transmission Mechanical Failure - First And Reverse
P1785 Transmission Mechanical Failure - First And Second
P1786 3-2 Downshift Error
P1787 2-1 Downshift Error
P1788 Pressure Control Solenoid "B" Open Circuit
P1789 Pressure Control Solenoid "B" Short Circuit
P1790 TP (Mechanical) Circuit Malfunction
P1791 TP (Electric) Circuit Malfunction
P1792 Barometer Pressure Circuit Malfunction
P1793 Intake Air Volume Circuit Malfunction
P1794 Battery Voltage Circuit Malfunction
P1795 Idle Switch Circuit Malfunction
P1796 Kick Down Switch Circuit Malfunction
P1797 Neutral Switch Circuit Malfunction
P1798 Coolant Temperature Circuit Malfunction

P1799 Hold Switch Circuit Malfunction
P1800 Transmission Clutch Interlock Safety Switch Circuit Failure
P1801 Transmission Clutch Interlock Safety Switch Open Circuit
P1802 Transmission Clutch Interlock Safety Switch Short Circuit To Battery
P1803 Transmission Clutch Interlock Safety Switch Short Circuit To Ground
P1804 Transmission 4-Wheel Drive High Indicator Circuit Failure
P1805 Transmission 4-Wheel Drive High Indicator Open Circuit
P1806 Transmission 4-Wheel Drive High Indicator Short Circuit To Battery
P1807 Transmission 4-Wheel Drive High Indicator Short Circuit To Ground
P1808 Transmission 4-Wheel Drive Low Indicator Circuit Failure
P1809 Transmission 4-Wheel Drive Low Indicator Open Circuit
P1810 TFP Valve Position Switch Circuit/ Transmission 4-Wheel Drive Low Indicator Short Circuit To Battery
P1811 Transmission 4-Wheel Drive Low Indicator Short Circuit To Ground
P1812 Transmission 4-Wheel Drive Mode Select Circuit Failure
P1813 Transmission 4-Wheel Drive Mode Select Open Circuit
P1814 Transmission 4-Wheel Drive Mode Select Short Circuit To Battery
P1815 Transmission 4-Wheel Drive Mode Select Short Circuit To Ground
P1816 Transmission Neutral Safety Switch Circuit Failure
P1817 Transmission Neutral Safety Switch Open Circuit
P1818 Transmission Neutral Safety Switch Short Circuit To Battery
P1819 Transmission Neutral Safety Switch Short Circuit To Ground
P1820 Transmission Transfer Case Clockwise Shift Relay Coil Circuit Failure
P1821 Transmission Transfer Case Clockwise Shift Relay Coil Open Circuit
P1822 Transmission Transfer Case Clockwise Shift Relay Coil Short Circuit To Battery
P1823 Transmission Transfer Case Clockwise Shift Relay Coil Short Circuit To Ground
P1824 Transmission 4-Wheel Drive Clutch Relay Circuit Failure
P1825 Transmission 4-Wheel Drive Clutch Relay Open Circuit
P1826 Transmission 4-Wheel Drive Low Clutch Relay Circuit To Battery
P1827 Transmission 4-Wheel Drive Low Clutch Relay Circuit To Ground
P1828 Transmission Transfer Case Counter Clockwise Shift Relay Coil Circuit Failure
P1829 Transmission Transfer Case Counter Clockwise Shift Relay Coil Open Circuit
P1830 Transmission Transfer Case Counter Clockwise Shift Relay Coil Short Circuit To Battery
P1831 Transmission Transfer Case Counter Clockwise Shift Relay Coil Short Circuit To Ground
P1832 Transmission Transfer Case Differential Lock-Up Solenoid Circuit Failure
P1833 Transmission Transfer Case Differential Lock-Up Solenoid Open Circuit
P1834 Transmission Transfer Case Differential Lock-Up Solenoid Short Circuit To Battery
P1835 Transmission Transfer Case Differential Lock-Up Solenoid Short Circuit To Ground
P1836 Transmission Transfer Case Front Shaft Speed Sensor Circuit Failure
P1837 Transmission Transfer Case Rear Shaft Speed Sensor Circuit Failure
P1838 Transmission Transfer Case Shift Motor Circuit Failure
P1839 Transmission Transfer Case Shift Motor Open Circuit
P1840 Transmission Transfer Case Shift Motor Short Circuit To Battery
P1841 Transmission Transfer Case Shift Motor Short Circuit To Ground
P1842 Transmission Transfer Case Differential Lock-Up Feedback Switch Circuit Failure
P1843 Transmission Transfer Case Differential Lock-Up Feedback Switch Open Circuit
P1844 Transmission Transfer Case Differential Lock-Up Feedback Switch Short Circuit To Battery
P1845 Transmission Transfer Case Differential Lock-Up Feedback Switch Short Circuit To Ground
P1846 Transmission Transfer Case Contact Plate 'A' Circuit Failure
P1847 Transmission Transfer Case Contact Plate 'A' Open Circuit
P1848 Transmission Transfer Case Contact Plate 'A' Short Circuit To Battery
P1849 Transmission Transfer Case Contact Plate 'A' Short Circuit To Ground
P1850 Transmission Transfer Case Contact Plate 'B' Circuit Failure
P1851 Transmission Transfer Case Contact Plate 'B' Open Circuit
P1852 Transmission Transfer Case Contact Plate 'B' Short Circuit To Battery
P1853 Transmission Transfer Case Contact Plate 'B' Short Circuit To Ground
P1854 Transmission Transfer Case Contact Plate 'C' Circuit Failure
P1855 Transmission Transfer Case Contact Plate 'C' Open Circuit
P1856 Transmission Transfer Case Contact Plate 'C' Short Circuit To Battery

P1857 Transmission Transfer Case Contact Plate 'C' Short Circuit To Ground
P1858 Transmission Transfer Case Contact Plate 'D' Circuit Failure
P1859 Transmission Transfer Case Contact Plate 'D' Open Circuit
P1860 TCC PWM Solenoid Circuit Electrical/ Transmission Transfer Case Contact Plate 'D' Short Circuit To Battery
P1861 Transmission Transfer Case Contact Plate 'D' Short Circuit To Ground
P1862 Transmission Transfer Case Contact Plate Power Circuit Failure
P1863 Transmission Transfer Case Contact Plate Power Open Circuit
P1864 Transmission Transfer Case Contact Plate Power Short To Battery
P1865 Transmission Transfer Case Contact Plate Power Short To Ground
P1866 Transmission Transfer Case System Concern - Servicing Required
P1867 Transmission Transfer Case Contact Plate General Circuit Failure
P1868 Transmission Automatic 4-Wheel Drive Indicator (Lamp) Circuit Failure
P1869 Transmission Automatic 4-Wheel Drive Indicator (Lamp) Circuit Short To Battery
P1870 Transmission Component Slipping/ Transmission Mechanical Transfer Case 4x4 Switch Circuit Failure
P1871 Transmission Mechanical Transfer Case 4x4 Switch Circuit Short To Battery
P1872 Transmission Mechanical 4-Wheel Drive Axle Lock Lamp Circuit Failure
P1873 Transmission Mechanical 4-Wheel Drive Axle Lock Lamp Circuit Short To Battery
P1874 Transmission Automatic Hall Effect Sensor Power Circuit Failure
P1875 Transmission Automatic Hall Effect Sensor Power Circuit Short To Battery / 4WD Low Switch Circuit Electrical
P1876 Transmission Transfer Case 2-Wheel Drive Solenoid Circuit Failure
P1877 Transmission Transfer Case 2-Wheel Drive Solenoid Circuit Short To Battery
P1878 Transmission Transfer Case Disengaged Solenoid Circuit Failure
P1879 Transmission Transfer Case Disengaged Solenoid Open Circuit
P1880 Transmission Transfer Case Disengaged Solenoid Short to Battery
P1881 Engine Coolant Level Switch Circuit Failure, GEM
P1882 Engine Coolant Level Switch Circuit Short to Ground
P1883 Engine Coolant Level Switch Circuit Failure, GEM
P1884 Engine Coolant Level Lamp Circuit Short to Ground
P1885 Transmission Transfer Case Disengaged Solenoid Short to Ground
P1886 4X4 Initialization Failure
P1890 Transmission 4WD Mode Select Return Input Circuit Failure
P1891 Transmission Transfer Case Contact Plate Ground Return Open Circuit
P1900 OSS Circuit Intermittent Malfunction
P1901 TSS Circuit Intermittent Malfunction
P1902 Pressure Control Solenoid "B" Intermittent Short
P1903 Pressure Control Solenoid "C" Short Circuit
P1904 Pressure Control Solenoid "C" Open Circuit
P1905 Pressure Control Solenoid "C" Intermittent Short
P1906 Kick down Pull Relay Open or Short Circuit to Ground
P1907 Kick down Hold Relay Open or Short Circuit to Ground
P1908 Transmission Pressure Circuit Solenoid Open or Short to Ground
P1909 Trans Temp Sensor Circuit Open or Shorted to Pwr or Gnd
P1910 VFS A Pressure Output Failed Low
P1911 VFS B Pressure Output Failed Low
P1912 VFS C Pressure Output Failed Low
P1913 Pressure Switch A Circuit Malfunction
P1914 Manually Shifted Automatic (MSA) Switch Circuit Malfunction
P1915 Reverse Switch Circuit Malfunction
P1916 High Clutch Drum Speed Sensor Malfunction
P1917 High Clutch Drum Speed Sensor Intermittent
P1918 Transmission Range Display Circuit Malfunction
C1091 Speed Wheel Sensor All Coherency Failure
C1095 ABS Hydraulic Pump Motor Circuit Failure
C1096 ABS Hydraulic Pump Motor Circuit Open
C1097 ABS Hydraulic Pump Motor Circuit Short To Ground
C1098 ABS Hydraulic Pump Motor Circuit Short To Battery
C1100 ABS Pump Switch Circuit Failure
C1101 ABS Hydraulic Valve Circuit Failure

C1102 ABS Acceleration Switch Circuit Failure
C1103 ABS Hydraulic Brake Switch Circuit Failure
C1104 Traction Control Active Lamp - Circuit Short to Battery
C1105 Traction Control Disable Lamp - Circuit Short to Battery
C1106 Traction Control Disable Switch Circuit Short to Battery
C1107 ABS Function Enabled Input Circuit Failure
C1109 Speed Control Actuator Assembly Cable Release Failure
C1110 ABS Power Relay Coil Circuit Failure
C1111 ABS Power Relay Coil Open Circuit
C1112 ABS Power Relay Coil Short Circuit To Ground
C1113 ABS Power Relay Coil Short Circuit To Battery
C1114 ABS Power Relay Output Short Circuit To Ground
C1115 ABS Power Relay Output Short Circuit To Battery
C1116 Starter Motor Circuit Failure
C1117 RPM Input Circuit Failure
C1123 Vehicle Speed Sensor Input Short to Battery
C1124 Input shaft speed signal missing/faulted
C1125 Brake Fluid Level Sensor Input Circuit Failure
C1126 Cruise Control Command Switch Assembly Circuit Failure
C1127 Cruise Control Deactivator Brake Switch Circuit Failure
C1132 Clutch position ckt short to ground
C1133 Clutch position ckt short to battery
C1134 Gear Shift position short to ground
C1135 Gear Shift position short to battery
C1136 Gear Select position short to ground
C1137 ECU is Defective
C1138 Gear Select position short to Battery
C1139 Wheel Speed Sensor Center Tone Ring Missing Tooth Fault
C1140 Hydraulic Base Brake Failure
C1141 Wheel Speed Sensor LF Tone Ring Tooth Missing Fault
C1142 Wheel Speed Sensor RF Tone Ring Tooth Missing Fault
C1143 Wheel Speed Sensor LR Tone Ring Tooth Missing Fault
C1144 Wheel Speed Sensor RR Tone Ring Tooth Missing Fault
C1145 Speed Wheel Sensor RF Input Circuit Failure
C1146 Speed Wheel Sensor RF Circuit Open
C1148 Speed Wheel Sensor RF Coherency Fault
C1149 Hydraulic Fluid Pressure/ Flow Circuit Failure
C1150 Two Speed Rear Axle Input Switch Circuit Short to Vbatt
C1155 Speed Wheel Sensor LF Input Circuit Failure
C1156 Speed Wheel Sensor LF Circuit Open
C1157 Park Brake Actuator Assembly Switch Applied Circuit Failure
C1158 Speed Wheel Sensor LF Coherency Fault
C1159 Hydraulic Fluid Pressure/ Flow Circuit Short to Gnd
C1161 Air Pressure Low Circuit Short to Gnd
C1162 Park Brake Switch # 2 Released Circuit Failure
C1163 Park Brake Switch # 2 Applied Circuit Short to Gnd
C1164 Park Brake Actuator Assembly Switch Circuit Failure
C1165 Speed Wheel Sensor RR Input Circuit Failure
C1166 Speed Wheel Sensor RR Input Open Circuit
C1167 Park Brake Actuator Assembly Switch Released Circuit Short to Gnd
C1168 Speed Wheel Sensor RR Coherency Fault
C1169 ABS Fluid Dumping Exceeds Maximum Timing
C1170 PRNDL Switch Circuit Failure
C1172 Park Brake Switch # 1 Applied Circuit Failure
C1173 Park Brake Switch # 1 Released Circuit Short to Gnd
C1174 Park Brake Switch # 2 Applied Circuit Failure
C1175 Speed Wheel Sensor LR Input Circuit Failure
C1176 Speed Wheel Sensor LR Circuit Open

C1177 Park Brake Actuator Assembly Switch Released Circuit Failure
C1178 Speed Wheel Sensor LR Coherency Fault
C1179 Speed Control Actuator Assembly Cable Slack Failure
C1180 Park Brake Valve Solenoid #1 Sense Input Circuit Failure
C1181 Park Brake Valve Solenoid #1 Sense Input Circuit Short to Ground
C1182 Park Lamp Flash Relay Circuit Failure
C1183 Park Lamp Flash Relay Circuit Short to Battery
C1184 ABS System Is Not Operational
C1185 ABS Power Relay Output Circuit Failure
C1186 ABS Power Relay Output Open Circuit
C1187 Brake Fluid Level Sensor Input Open Circuit
C1188 Brake Fluid Level Sensor Input Short Circuit To Battery
C1189 Brake Fluid Level Sensor Input Short Circuit To Ground
C1190 Speed Wheel Sensor LF Input Short Circuit To Battery
C1191 Speed Wheel Sensor LF Input Short Circuit To Ground
C1192 Speed Wheel Sensor RF Input Short Circuit To Battery
C1193 Speed Wheel Sensor RF Input Short Circuit To Ground
C1194 ABS Outlet Valve Coil LF Circuit Failure
C1195 ABS Outlet Valve Coil LF Circuit Open
C1196 ABS Outlet Valve Coil LF Circuit Short To Battery
C1197 ABS Outlet Valve Coil LF Circuit Short To Ground
C1198 ABS Inlet Valve Coil LF Circuit Failure
C1199 ABS Inlet Valve Coil LF Circuit Open
C1200 ABS Inlet Valve Coil LF Circuit Short To Battery
C1201 ABS Inlet Valve Coil LF Circuit Short To Ground
C1202 ABS Outlet Valve Coil Rear Circuit Failure
C1203 ABS Outlet Valve Coil Rear Circuit Open
C1204 ABS Outlet Valve Coil Rear Circuit Short To Battery
C1205 ABS Outlet Valve Coil Rear Circuit Short To Ground
C1206 ABS Inlet Valve Coil Rear Circuit Failure
C1207 ABS Inlet Valve Coil Rear Circuit Open
C1208 ABS Inlet Valve Coil Rear Circuit Short To Battery
C1209 ABS Inlet Valve Coil Rear Circuit Short To Ground
C1210 ABS Outlet Valve Coil RF Circuit Failure
C1211 ABS Outlet Valve Coil RF Circuit Open
C1212 ABS Outlet Valve Coil RF Circuit Short To Battery
C1213 ABS Outlet Valve Coil RF Circuit Short To Ground
C1214 ABS Inlet Valve Coil RF Circuit Failure
C1215 ABS Inlet Valve Coil RF Circuit Open
C1216 ABS Inlet Valve Coil RF Circuit Short To Battery
C1217 ABS Inlet Valve Coil RF Circuit Short To Ground
C1218 Lamp ABS Warning Output Circuit Failure
C1219 Lamp ABS Warning Output Circuit Open
C1220 Lamp ABS Warning Output Circuit Short To Battery
C1221 Lamp ABS Warning Output Circuit Short To Ground
C1222 Speed Wheel Mismatch
C1223 Lamp Brake Warning Output Circuit Failure
C1224 Lamp Brake Warning Output Circuit Open
C1225 Lamp Brake Warning Output Circuit Short To Battery
C1226 Lamp Brake Warning Output Circuit Short To Ground
C1227 Speed Wheel Sensor LR Input Short Circuit To Battery
C1228 Speed Wheel Sensor LR Input Short Circuit To Ground
C1229 Speed Wheel Sensor Rear Center Coherency Fault
C1230 Speed Wheel Sensor Rear Center Input Circuit Failure
C1231 Speed Wheel Sensor Rear Center Circuit Open
C1232 Speed Wheel Sensor Rear Center Input Short Circuit To Battery
C1233 Speed Wheel LF Input Signal Missing
C1234 Speed Wheel RF Input Signal Missing

C1235 Speed Wheel RR Input Signal Missing
C1236 Speed Wheel LR Input Signal Missing
C1237 Speed Wheel Rear Input Signal Missing
C1238 ABS Hydraulic Pressure Differential Switch Input Circuit Failure
C1239 ABS Hydraulic Pressure Differential Switch Input Open Circuit
C1240 ABS Hydraulic Pressure Differential Switch Input Short Circuit To Battery
C1241 ABS Hydraulic Pressure Differential Switch Input Short Circuit To Ground
C1242 ABS Outlet Valve Coil LR Circuit Failure
C1243 ABS Outlet Valve Coil LR Circuit Open
C1244 ABS Outlet Valve Coil LR Circuit Short To Battery
C1245 ABS Outlet Valve Coil LR Circuit Short To Ground
C1246 ABS Outlet Valve Coil RR Circuit Failure
C1247 ABS Outlet Valve Coil RR Circuit Open
C1248 ABS Outlet Valve Coil RR Circuit Short To Battery
C1249 ABS Outlet Valve Coil RR Circuit Short To Ground
C1250 ABS Inlet Valve Coil LR Circuit Failure
C1251 ABS Inlet Valve Coil LR Circuit Open
C1252 ABS Inlet Valve Coil LR Circuit Short To Battery
C1253 ABS Inlet Valve Coil LR Circuit Short To Ground
C1254 ABS Inlet Valve Coil RR Circuit Failure
C1255 ABS Inlet Valve Coil RR Circuit Open
C1256 ABS Inlet Valve Coil RR Circuit Short To Battery
C1257 ABS Inlet Valve Coil RR Circuit Short To Ground
C1258 Speed Wheel LF Comparison Failure
C1259 Speed Wheel RF Comparison Failure
C1260 Speed Wheel RR Comparison Failure
C1261 Speed Wheel LR Comparison Failure
C1262 Lamp Warning Relay Circuit Failure
C1263 Lamp Warning Relay Circuit Open
C1264 Lamp Warning Relay Circuit Short To Battery
C1265 Lamp Warning Relay Circuit Short To Ground
C1266 ABS Valve Power Relay Circuit Failure
C1267 ABS Functions Temporarily Disabled
C1268 Motor Relay # 1 Circuit Failure
C1269 Motor Relay # 1 Circuit Short to Battery
C1270 Motor # 1 Input Circuit Failure
C1271 Motor # 1 Input Circuit Short to Gnd
C1272 Motor # 2 Input Circuit Failure
C1273 Motor # 2 Input Circuit Short to Vbat
C1274 Solenoid Relay # 1 Circuit Failure
C1275 Solenoid Relay # 1 Circuit Short to Vbatt
C1276 Park Brake Actuator Assembly Switch Applied Circuit Short to Gnd
C1277 STEERING Wheel Angle 1and 2 Circuit Failure
C1278 STEERING Wheel Angle 1and 2 Signal Faulted
C1279 Yaw Rate Sensor circuit Failure
C1280 Yaw Rate Sensor Signal Fault
C1281 Lateral Accelerometer circuit Failure
C1282 Lateral Accelerometer Signal Fault
C1283 Switch Test Signal Failure
C1284 Oil Pressure Switch Failure
C1285 Booster Solenoid circuit Failure
C1286 Booster Mechanical Failure
C1287 Booster Pedal Force switch circuit Failure
C1288 Pressure Transducer Main / Primary Input Circuit Failure
C1289 Pressure Transducer Redundant / Secondary Input Circuit Failure
C1400 Traction Control Valve RF Circuit Failure
C1401 Traction Control Valve RF Circuit Open
C1402 Traction Control Valve RF Circuit Short To Ground

C1403 Traction Control Valve RF Circuit Short To Battery
C1404 Traction Control Valve Rear Circuit Failure
C1405 Traction Control Valve Rear Circuit Open
C1406 Traction Control Valve Rear Circuit Short To Ground
C1407 Traction Control Valve Rear Circuit Short To Battery
C1410 Traction Control Valve LF Circuit Failure
C1411 Traction Control Valve LF Circuit Open
C1412 Traction Control Valve LF Circuit Short To Ground
C1413 Traction Control Valve LF Circuit Short To Battery
C1414 Incorrect Module Design Level
C1415 Incorrect Module Configuration
C1416 Damper RF Circuit Short To Battery
C1417 Damper RF Circuit Short to Ground
C1418 Damper RF Circuit Failure
C1419 Damper RF Circuit Open
C1420 Hydraulic Fluid Pressure/ Flow Circuit Short to Vbatt
C1421 Damper LF Circuit Short To Battery
C1422 Damper LF Circuit Short to Ground
C1423 Damper LF Circuit Failure
C1424 Damper LF Circuit Open
C1425 Damper RR Circuit Short to Ground
C1426 Damper RR Circuit Short To Battery
C1427 Damper RR Circuit Open
C1428 Damper RR Circuit Failure
C1429 Input-shaft-speed input circuit failure
C1430 Damper LR Circuit Open
C1431 Damper LR Circuit Short To Battery
C1432 Damper LR Circuit Short to Ground
C1433 Damper LR Circuit Failure
C1435 Accelerometer Rear Circuit Failure
C1436 Accelerometer Rear Circuit Signal Is Not Sensed
C1437 Accelerometer Rear Circuit Short To Ground
C1438 Accelerometer Rear Circuit Short To Battery
C1439 Vehicle Acceleration EEC-IV Circuit Failure
C1440 Pressure Transducer Main / Primary signal Faulted
C1441 Steering Phase A Circuit Signal Is Not Sensed
C1442 Steering Phase B Circuit Signal Is Not Sensed
C1443 Steering Phase A Circuit Short To Ground
C1444 Steering Phase B Circuit Short To Ground
C1445 Speed Vehicle Signal Circuit Failure
C1446 Brake Switch Circuit Failure
C1447 Traction Control Module Request Circuit Failure
C1448 Lamp Adaptive Damping Warning Circuit Failure
C1449 Traction Control Motor Coherency Fault
C1450 Traction Control Motor Circuit Failure
C1451 Traction Control Motor Circuit Open
C1452 Traction Control Motor Circuit Short to Battery
C1453 Traction Control Motor Circuit Short to Ground
C1454 Front Lateral Accelerometer Circuit Failure
C1455 Accelerometer Front Circuit Failure
C1456 Accelerometer Front Circuit Is Not Sensed
C1457 Accelerometer Front Circuit Short To Ground
C1458 Accelerometer Front Circuit Short To Battery
C1459 Adaptive Mode Switch Circuit Failure
C1460 Vehicle Accelerometer Power Circuit Failure
C1461 Vehicle Accelerometer Power Circuit Short to Battery
C1462 Left Front Vertical Accelerometer Circuit Failure
C1463 Right Front Vertical Accelerometer Circuit Failure

C1464 Pressure Transducer Redundant / Secondary Signal Faulted
C1465 Damper High Side Front Circuit Short To Battery
C1466 Damper Circuit Failure
C1467 Damper High Side Rear Circuit Short To Battery
C1468 Damper Low Side Front Circuit Failure
C1469 Damper Low Side Rear Circuit Failure
C1495 Traction Control Motor Potentiometer Circuit Failure
C1496 Traction Control Motor Potentiometer Circuit Open
C1497 Traction Control Motor Potentiometer Circuit Short to Battery
C1498 Traction Control Motor Potentiometer Circuit Short to Ground
C1499 Transfer Case Contact Plate "A" Encoder Circuit Failure
C1500 Transfer Case Contact Plate "B" Encoder Circuit Failure
C1501 Transfer Case Contact Plate "C" Encoder Circuit Failure
C1502 Transfer Case Contact Plate "D" Encoder Circuit Failure
C1503 Dynamic Stability Control Left Front Valve Malfunction
C1504 Dynamic Stability Control Right Front Valve Malfunction
C1505 Dynamic Stability Control Left Rear Valve Malfunction
C1506 Dynamic Stability Control Right Rear Valve Malfunction
C1507 Traction Control of Brake Exceeds Time-Out
C1508 Traction Control of Engine Exceeds Time-Out
C1510 Right Front Wheel Pressure Reduction Performance Problem
C1511 Left Front Wheel Pressure Reduction Performance Problem
C1512 Right Rear Wheel Pressure Reduction Performance Problem
C1513 Left rear Wheel Pressure Reduction Performance Problem
C1699 Left Rear Sensor Circuit Short to Vbat
C1700 Left Rear Sensor Circuit Failure
C1701 Left Rear Sensor Circuit Fault
C1702 RightRear Sensor Circuit Short to Vbat
C1703 Right Rear Sensor Circuit Failure
C1704 Right Rear Sensor Circuit Fault
C1705 Left Rear Center Sensor Circuit Short to Vbat
C1706 Left Rear Center Sensor Circuit Failure
C1707 Left Rear Center Sensor Circuit Fault
C1708 Right Rear Center Sensor Circuit Short to Vbat
C1709 Right Rear Center Sensor Circuit Failure
C1710 Right Rear Center Sensor Circuit Fault
C1711 Left Front Sensor Circuit Short to Vbat
C1712 Left Front Sensor Circuit Failure
C1713 Left Front Sensor Circuit Fault
C1714 Right Front Sensor Circuit Short to Vbat
C1715 Right Front Sensor Circuit Failure
C1716 Right Front Sensor Circuit Fault
C1717 Left Front Center Sensor Circuit Short to Vbat
C1718 Left Front Center Sensor Circuit Failure
C1719 Left Front Center Sensor Circuit Fault
C1721 Air Suspension Height Sensor Power Circuit Open
C1722 Air Suspension Height Sensor Power Circuit Short To Battery
C1723 Air Suspension Height Sensor Power Circuit Short To Ground
C1724 Air Suspension Height Sensor Power Circuit Failure
C1725 Air Suspension Front Pneumatic Failure
C1726 Air Suspension Rear Pneumatic Failure
C1727 Air Suspension Reservoir Pneumatic Failure
C1728 Transfer Case unable to transition between 2H and 4H
C1729 Transfer Case unable to transition between 4H and 4L
C1730 Reference Voltage Out of Range (+5 v)
C1731 Air Suspension LF Corner Up Timeout
C1732 Air Suspension LF Corner Down Timeout
C1733 Air Suspension RF Corner Up Timeout

C1734 Air Suspension RF Corner Down Timeout
C1735 Air Suspension LR Corner Up Timeout
C1736 Air Suspension LR Corner Down Timeout
C1737 Air Suspension RR Corner Up Timeout
C1738 Air Suspension RR Corner Down Timeout
C1739 Right Front Center Sensor Circuit Short to Vbat
C1740 Right Front Center Sensor Circuit Failure
C1741 Right Front Center Sensor Circuit Fault
C1742 Rear Sounder Circuit Failure
C1743 Rear Sounder Circuit Short to Vbatt
C1744 Front Sounder Circuit Failure
C1745 Front Sounder Circuit Short to Vbatt
C1748 Switch input Circuit Short to Gnd
C1749 Trailer Input Circuit Failure
C1750 Accelerator Position Sensor Out of Range
C1751 Vehicle Speed Sensor # 1 Output Circuit Short to Vbatt
C1752 Vehicle Speed Sensor # 1 Output Circuit Short to Gnd
C1753 Hydraulic Clutch Actuator Valve Signal Fault
C1754 Hydraulic Clutch Actuator Valve Circuit Failure
C1755 Power Limit Shutdown Fault
C1756 Air Suspension Front Height Sensor High (SE) Signal Circuit Failure
C1757 Air Suspension Front Height Sensor High (SE) Signal Circuit Open
C1758 Air Suspension Front Height Sensor High (SE) Signal Circuit Short To Battery
C1759 Air Suspension Front Height Sensor High (SE) Signal Circuit Short To Ground
C1760 Air Suspension Rear Height Sensor High (SE) Signal Circuit Failure
C1761 Air Suspension Rear Height Sensor High (SE) Signal Circuit Open
C1762 Air Suspension Rear Height Sensor High (SE) Signal Circuit Short To Battery
C1763 Air Suspension Rear Height Sensor High (SE) Signal Circuit Short To Ground
C1765 Air Suspension Rear Height Sensor Low Signal Circuit Failure
C1766 Air Suspension Rear Height Sensor Low Signal Circuit Open
C1767 Air Suspension Rear Height Sensor Low Signal Circuit Short To Battery
C1768 Air Suspension Rear Height Sensor Low Signal Circuit Short To Ground
C1770 Air Suspension Vent Solenoid Output Circuit Failure
C1771 Air Suspension Vent Solenoid Output Circuit Open
C1772 Air Suspension Vent Solenoid Output Circuit Short To Battery
C1773 Air Suspension Vent Solenoid Output Circuit Short To Ground
C1774 Coolant Temp Out of Range
C1775 DC-DC Converter Failure
C1776 Heater System Failure
C1777 Vacuum Pressure Circuit Failure
C1778 Power Steering Failure
C1779 Blower Switch Failure
C1780 Temperature Select Failure
C1781 Engine Coolant Temperature Signal Missing/Fault
C1790 Air Suspension LR Air Spring/Shock Solenoid Output Circuit Failure
C1791 Air Suspension LR Air Spring/Shock Solenoid Output Circuit Open
C1792 Air Suspension LR Air Spring/Shock Solenoid Output Circuit Short To Battery
C1793 Air Suspension LR Air Spring/Shock Solenoid Output Circuit Short To Ground
C1795 Air Suspension RR Air Spring/Shock Solenoid Output Circuit Failure
C1796 Air Suspension RR Air Spring/Shock Solenoid Output Circuit Open
C1797 Air Suspension RR Air Spring/Shock Solenoid Output Circuit Short To Battery
C1798 Air Suspension RR Air Spring/Shock Solenoid Output Circuit Short To Ground
C1800 Air Suspension Reservoir Solenoid Circuit Failure
C1805 Mismatched PCM and/or ABS-TC Module
C1813 Air Suspension LR Vent Request Exceeded Max Timing
C1814 Air Suspension RR Vent Request Exceeded Max Timing
C1818 Air Suspension LR Air Compress Request Exceeded Max Timing
C1819 Air Suspension RR Air Compress Request Exceeded Max Timing

C1820 Air Suspension RF Air Compress Request Exceeded Max Timing
C1830 Air Suspension Compressor Relay Circuit Failure
C1831 Air Suspension Compressor Relay Circuit Open
C1832 Air Suspension Compressor Relay Circuit Short To Battery
C1833 Air Suspension Compressor Relay Circuit Short To Ground
C1834 Gauge Drive Current Fault
C1835 Current Sense Circuit Failure
C1836 Battery Temp out of Range
C1837 Battery Heater Circuit Failure
C1838 Charging System Fault
C1839 Leakage Fault
C1840 Air Suspension Disable Switch Circuit Failure
C1841 Air Suspension Disable Switch Circuit Open
C1842 Air Suspension Disable Switch Circuit Short To Battery
C1843 Air Suspension Disable Switch Circuit Short To Ground
C1844 Air Suspension Secondary Front Inflator Solenoid Output Circuit Failure
C1845 Air Suspension Front Inflator Solenoid Output Circuit Failure
C1846 Air Suspension Front Inflator Solenoid Output Circuit Open
C1847 Air Suspension Front Inflator Solenoid Output Circuit Short To Battery
C1848 Air Suspension Front Inflator Solenoid Output Circuit Short To Ground
C1849 Master Cylinder Pressure Out of Range
C1850 Air Suspension Warning Lamp Circuit Failure
C1851 Air Suspension Warning Lamp Circuit Open
C1852 Air Suspension Warning Lamp Circuit Short To Battery
C1853 Air Suspension Warning Lamp Circuit Short To Ground
C1854 Motor Temperature Out of Range
C1855 Acceleration Position Sensor Conflict
C1856 Traction Motor Encoder circuit Failure
C1859 PRNDL Input #2 Circuit Failure
C1860 PRNDL Input #3 Circuit Failure
C1861 PRNDL Input #4 Circuit Failure
C1862 Contactor Circuit Failure
C1863 External Charging Fault
C1864 Battery Module Fault
C1865 Air Suspension Rear Inflator Solenoid Output Circuit Failure
C1866 Air Suspension Rear Inflator Solenoid Output Circuit Open
C1867 Air Suspension Rear Inflator Solenoid Output Circuit Short To Battery
C1868 Air Suspension Rear Inflator Solenoid Output Circuit Short To Ground
C1869 Air Suspension Gate Solenoid Output Circuit Failure
C1870 Air Suspension Gate Solenoid Output Circuit Open
C1871 Air Suspension Gate Solenoid Output Circuit Short To Battery
C1872 Air Suspension Gate Solenoid Output Circuit Short To Ground
C1873 Air Suspension RF Air Spring Solenoid Output Circuit Failure
C1874 Air Suspension RF Air Spring Solenoid Output Circuit Open
C1875 Air Suspension RF Air Spring Solenoid Output Circuit Short To Battery
C1876 Air Suspension RF Air Spring Solenoid Output Circuit Short To Ground
C1877 Air Suspension LF Air Spring Solenoid Output Circuit Failure
C1878 Air Suspension LF Air Spring Solenoid Output Circuit Open
C1879 Air Suspension LF Air Spring Solenoid Output Circuit Short To Battery
C1880 Air Suspension LF Air Spring Solenoid Output Circuit Short To Ground
C1881 Air Suspension RF Height Sensor Circuit Failure
C1882 Air Suspension RF Height Sensor Circuit Open
C1883 Air Suspension RF Height Sensor Circuit Short To Battery
C1884 Air Suspension RF Height Sensor Circuit Short To Ground
C1885 Air Suspension RR Height Sensor Circuit Failure
C1886 Air Suspension RR Height Sensor Circuit Open
C1887 Air Suspension RR Height Sensor Circuit Short To Battery
C1888 Air Suspension RR Height Sensor Circuit Short To Ground

C1889 Air Suspension LF Height Sensor Circuit Failure
C1890 Air Suspension LF Height Sensor Circuit Open
C1891 Air Suspension LF Height Sensor Circuit Short To Battery
C1892 Air Suspension LF Height Sensor Circuit Short To Ground
C1893 Air Suspension LR Height Sensor Circuit Failure
C1894 Air Suspension LR Height Sensor Circuit Open
C1895 Air Suspension LR Height Sensor Circuit Short To Battery
C1896 Air Suspension LR Height Sensor Circuit Short To Ground
C1897 Steering VAPS II Circuit Loop Failure
C1898 Steering VAPS II Circuit Loop Open
C1899 Steering VAPS II Circuit Loop Short To Battery
C1900 Steering VAPS II Circuit Loop Short To Ground
C1901 Ride Control RR Shock Actuator Circuit Failure
C1902 Ride Control RR Shock Actuator Circuit Open
C1903 Ride Control RR Shock Actuator Circuit Short To Battery
C1904 Ride Control RR Shock Actuator Circuit Short To Ground
C1905 Ride Control LR Shock Actuator Circuit Failure
C1906 Ride Control LR Shock Actuator Circuit Open
C1907 Ride Control LR Shock Actuator Circuit Short To Battery
C1908 Ride Control LR Shock Actuator Circuit Short To Ground
C1909 Ride Control RF Shock Actuator Circuit Failure
C1910 Ride Control RF Shock Actuator Circuit Open
C1911 Ride Control RF Shock Actuator Circuit Short To Battery
C1912 Ride Control RF Shock Actuator Circuit Short To Ground
C1913 Ride Control LF Shock Actuator Circuit Failure
C1914 Ride Control LF Shock Actuator Circuit Open
C1915 Ride Control LF Shock Actuator Circuit Short To Battery
C1916 Ride Control LF Shock Actuator Circuit Short To Ground
C1917 Steering EVO Out-of-Range Fault
C1918 Air Suspension Ride Height Select Switch Circuit Failure
C1920 Led #1 Circuit Failure
C1921 VAPS Solenoid Actuator Output Circuit Failure
C1922 VAPS Solenoid Actuator Output Circuit Open
C1923 VAPS Solenoid Actuator Output Circuit Short To Battery
C1924 VAPS Solenoid Actuator Output Circuit Short To Ground
C1925 VAPS Solenoid Actuator Return Circuit Failure
C1926 VAPS Solenoid Actuator Return Circuit Open
C1927 VAPS Solenoid Actuator Return Circuit Short To Battery
C1928 VAPS Solenoid Actuator Return Circuit Short To Ground
C1929 Air Suspension Front Compressor Relay Circuit Failure
C1930 Air Suspension Front Compressor Relay Circuit Open
C1931 Air Suspension Front Compressor Relay Circuit Short To Battery
C1932 Air Suspension Front Compressor Relay Circuit Short To Ground
C1933 Solenoid Current Out Of Range
C1934 HPU (Hydraulic Pump Unit) Pressurisation Failure
C1935 Chime Circuit Failure
C1936 Hydraulic Pump Relay Circuit Failure
C1937 Steering Wheel Angle Sensor Offset Failure
C1938 Invalid Steering Wheel Angle Sensor ID
C1939 Brake Pressure Switch Input Circuit Failure
C1940 Brake Pressure Switch Mechanical Failure
C1942 Unrecognized Powertrain Configuration
C1943 Airbag Deployment Indication Input Fault
C1944 Gauge Driver Circuit Fault
C1945 Park Switch Indicates Park with Vehicle Moving
C1946 Seat Track Position Switch Circuit Open
C1947 Seat Track Position Switch Circuit Short to Ground
C1948 Seat Track Position Switch Circuit Resistance Out of Range

C1949 Accelerometer Sensor Circuit Open
C1950 Accelerometer Sensor Circuit Failure
C1951 Lateral Accelerometer Sensor Circuit Open
C1952 Yaw Rate Sensor Circuit Open
C1953 Master Cylinder Pressure Sensor Circuit Open
C1954 Master Cylinder Pressure Sensor Circuit Failure
C1955 Steering Angle Sensor Circuit Open
C1956 Steering Angle Sensor Circuit Failure
C1957 Dynamic Stability Control Valve RF Circuit Failure
C1958 Dynamic Stability Control Valve LF Circuit Failure
C1959 Lateral Accelerometer Sensor Circuit Failure
C1960 Driver Brake Apply Circuit Fault
C1961 Park Lamp Relay Coil Circuit Failure
C1962 Park Lamp Relay Coil Short to Battery
C1963 Stability Control Inhibit Warning
B1200 Climate Control Pushbutton Circuit Failure
B1201 Fuel Sender Circuit Failure
B1202 Fuel Sender Circuit Open
B1203 Fuel Sender Circuit Short To Battery
B1204 Fuel Sender Circuit Short To Ground
B1205 EIC Switch-1 Assembly Circuit Failure
B1206 EIC Switch-1 Assembly Circuit Open
B1207 EIC Switch-1 Assembly Circuit Short To Battery
B1208 EIC Switch-1 Assembly Circuit Short To Ground
B1209 EIC Switch-2 Assembly Circuit Failure
B1210 EIC Switch-2 Assembly Circuit Open
B1211 EIC Switch-2 Assembly Circuit Short To Battery
B1212 EIC Switch-2 Assembly Circuit Short To Ground
B1213 Anti-Theft Number of Programmed Keys Is Below Minimum
B1214 Running Board Lamp Circuit Failure
B1215 Running Board Lamp Circuit Short to Battery
B1216 Emergency & Road Side Assistance Switch Circuit Short to Ground
B1217 Horn Relay Coil Circuit Failure
B1218 Horn Relay Coil Circuit Short to Vbatt
B1219 Fuel Tank Pressure Sensor Circuit Failure
B1220 Fuel Tank Pressure Sensor Circuit Open
B1222 Fuel Temperature Sensor #1 Circuit Failure
B1223 Fuel Temperature Sensor #1 Circuit Open
B1224 Fuel Temperature Sensor #1 Circuit Short to Battery
B1225 Fuel Temperature Sensor #1 Circuit Short to Ground
B1226 Fuel Temperature Sensor #2 Circuit Failure
B1227 Fuel Temperature Sensor #2 Circuit Open
B1228 Fuel Temperature Sensor #2 Circuit Short to Battery
B1229 Fuel Temperature Sensor #2 Circuit Short to Ground
B1231 Longitudinal Acceleration Threshold Exceeded
B1232 See Manufacturer
B1233 Glass Break Sensor Failure
B1234 Mirror Switch Invalid Code
B1235 Window Feedback Failure
B1236 Window Feedback Loss of Signal
B1237 Window Feedback Out of Range
B1238 Over Temperature Fault
B1239 Air Flow Blend Door Driver Circuit Failure
B1240 Wiper Washer Rear Pump Relay Circuit Failure
B1241 Wiper Washer Rear Pump Relay Circuit Short to Battery
B1242 Air Flow Recirculation Door Driver Circuit Failure
B1243 Express Window Down Switch Circuit Short to Battery
B1244 Wiper Rear Motor Run Relay Circuit Failure

B1245 Wiper Rear Motor Run Relay Circuit Short to Battery
B1246 Dim Panel Potentiometer Switch Circuit Failure
B1247 Panel Dim Switch Circuit Open
B1248 Passenger's Seatback Auto glide Rearward Switch Circuit Short to Ground
B1249 Blend Door Failure
B1250 Air Temperature Internal Sensor Circuit Failure
B1251 Air Temperature Internal Sensor Circuit Open
B1252 Air Temperature Internal Sensor Circuit Short To Battery
B1253 Air Temperature Internal Sensor Circuit Short To Ground
B1254 Air Temperature External Sensor Circuit Failure
B1255 Air Temperature External Sensor Circuit Open
B1256 Air Temperature External Sensor Circuit Short To Battery
B1257 Air Temperature External Sensor Circuit Short To Ground
B1258 Solar Radiation Sensor Circuit Failure
B1259 Solar Radiation Sensor Circuit Open
B1260 Solar Radiation Sensor Circuit Short To Battery
B1261 Solar Radiation Sensor Circuit Short To Ground
B1262 Servo Motor Defrost Circuit Failure
B1263 Servo Motor Vent Circuit Failure
B1264 Servo Motor Foot Circuit Failure
B1265 Servo Motor Cool air Bypass Circuit Failure
B1266 Servo Motor Air intake Left Circuit Failure
B1267 Servo Motor Air intake Right Circuit Failure
B1268 Servo Motor Potentiometer Defrost Circuit Failure
B1269 Servo Motor Potentiometer Defrost Circuit Open
B1270 Servo Motor Potentiometer Defrost Circuit Short To Battery
B1271 Servo Motor Potentiometer Defrost Circuit Short To Ground
B1272 Servo Motor Potentiometer Vent Circuit Failure
B1273 Servo Motor Potentiometer Vent Circuit Open
B1274 Servo Motor Potentiometer Vent Circuit Short To Battery
B1275 Servo Motor Potentiometer Vent Circuit Short To Ground
B1276 Servo Motor Potentiometer Foot Circuit Failure
B1277 Servo Motor Potentiometer Foot Circuit Open
B1278 Servo Motor Potentiometer Foot Circuit Short To Battery
B1279 Servo Motor Potentiometer Foot Circuit Short To Ground
B1280 Servo Motor Potentiometer Cool air Circuit Failure
B1281 Servo Motor Potentiometer Cool air Circuit Open
B1282 Servo Motor Potentiometer Cool air Circuit Short To Battery
B1283 Servo Motor Potentiometer Cool air Circuit Short To Ground
B1284 Servo Motor Potentiometer Air intake Left Circuit Failure
B1285 Servo Motor Potentiometer Air intake Left Circuit Open
B1286 Servo Motor Potentiometer Air intake Left Circuit Short To Battery
B1287 Servo Motor Potentiometer Air intake Left Circuit Short To Ground
B1288 Servo Motor Potentiometer Air intake Right Circuit Failure
B1289 Servo Motor Potentiometer Air intake Right Circuit Open
B1290 Servo Motor Potentiometer Air intake Right Circuit Short To Battery
B1291 Servo Motor Potentiometer Air intake Right Circuit Short To Ground
B1292 Battery Power Relay Circuit Failure
B1293 Battery Power Relay Circuit Open
B1294 Battery Power Relay Circuit Short To Battery
B1295 Battery Power Relay Circuit Short To Ground
B1296 Power Supply Sensor Circuit Failure
B1297 Power Supply Sensor Circuit Open
B1298 Power Supply Sensor Circuit Short To Battery
B1299 Power Supply Sensor Circuit Short To Ground
B1300 Power Door Lock Circuit Failure
B1301 Power Door Lock Circuit Open
B1302 Accessory Delay Relay Coil Circuit Failure

B1303 Accessory Delay Relay Coil Circuit Open
B1304 Accessory Delay Relay Coil Circuit Short To Battery
B1305 Accessory Delay Relay Coil Circuit Short To Ground
B1306 Oil Level Switch Circuit Open
B1307 Oil Level Switch Circuit Short To Battery
B1308 Oil Level Switch Circuit Short To Ground
B1309 Power Door Lock Circuit Short To Ground
B1310 Power Door Unlock Circuit Failure
B1311 Power Door Unlock Circuit Open
B1312 Lamp Headlamp Input Circuit Short To Battery
B1313 Battery Saver Relay Coil Circuit Failure
B1314 Battery Saver Relay Coil Circuit Open
B1315 Battery Saver Relay Coil Circuit Short To Battery
B1316 Battery Saver Relay Coil Circuit Short To Ground
B1317 Battery Voltage High
B1318 Battery Voltage Low
B1319 Driver Door Ajar Circuit Failure
B1320 Driver Door Ajar Circuit Open
B1321 Driver Door Ajar Circuit Short To Battery
B1322 Driver Door Ajar Circuit Short To Ground
B1323 Door Ajar Lamp Circuit Failure
B1324 Door Ajar Lamp Circuit Open
B1325 Door Ajar Lamp Circuit Short To Battery
B1326 Door Ajar Lamp Circuit Short To Ground
B1327 Passenger Door Ajar Circuit Failure
B1328 Passenger Door Ajar Circuit Open
B1329 Passenger Door Ajar Circuit Short To Battery
B1330 Passenger Door Ajar Circuit Short To Ground
B1331 Decklid Ajar Rear Door Circuit Failure
B1332 Decklid Ajar Rear Door Circuit Open
B1333 Decklid Ajar Rear Door Circuit Short To Battery
B1334 Decklid Ajar Rear Door Circuit Short To Ground
B1335 Door Ajar RR Circuit Failure
B1336 Door Ajar RR Circuit Open
B1337 Door Ajar RR Circuit Short To Battery
B1338 Door Ajar RR Circuit Short To Ground
B1339 Chime Input Request Circuit Short To Battery
B1340 Chime Input Request Circuit Short To Ground
B1341 Power Door Unlock Circuit Short To Ground
B1342 ECU Is Defective
B1343 Heated Backlite Input Circuit Failure
B1344 Heated Backlite Input Circuit Open
B1345 Heated Backlite Input Circuit Short To Ground
B1346 Heated Backlite Input Circuit Short To Battery
B1347 Heated Backlite Relay Circuit Failure
B1348 Heated Backlite Relay Circuit Open
B1349 Heated Backlite Relay Short To Battery
B1350 Heated Backlite Relay Short To Ground
B1351 Ignition Key-In Circuit Short To Battery
B1352 Ignition Key-In Circuit Failure
B1353 Ignition Key-In Circuit Open
B1354 Ignition Key-In Circuit Short To Ground
B1355 Ignition Run Circuit Failure
B1356 Ignition Run Circuit Open
B1357 Ignition Run Circuit Short To Battery
B1358 Ignition Run Circuit Short To Ground
B1359 Ignition Run/Acc Circuit Failure
B1360 Ignition Run/Acc Circuit Open

B1361 Ignition Run/Acc Circuit Short To Battery
B1362 Ignition Run/Acc Circuit Short To Ground
B1363 Ignition Start Circuit Failure
B1364 Ignition Start Circuit Open
B1365 Ignition Start Circuit Short To Battery
B1366 Ignition Start Circuit Short To Ground
B1367 Ignition Tach Circuit Failure
B1368 Ignition Tach Circuit Open
B1369 Ignition Tach Circuit Short To Battery
B1370 Ignition Tach Circuit Short To Ground
B1371 Illuminated Entry Relay Circuit Failure
B1372 Illuminated Entry Relay Circuit Open
B1373 Illuminated Entry Relay Short To Battery
B1374 Illuminated Entry Relay Short To Ground
B1375 Oil Change Lamp Circuit Open
B1376 Oil Change Lamp Circuit Short To Battery
B1377 Oil Change Lamp Circuit Failure
B1378 Oil Change Lamp Circuit Short To Ground
B1379 Oil Change Reset Button Circuit Short To Ground
B1380 Oil Change Reset Button Circuit Failure
B1381 Oil Change Reset Button Circuit Open
B1382 Oil Change Reset Button Circuit Short To Battery
B1383 Oil Level Lamp Circuit Short To Battery
B1384 Oil Level Lamp Circuit Failure
B1385 Oil Level Lamp Circuit Open
B1386 Oil Level Lamp Circuit Short To Ground
B1387 Oil Temperature Sensor Circuit Open
B1388 Oil Temperature Sensor Circuit Short To Battery
B1389 Oil Temperature Sensor Circuit Failure
B1390 Oil Temperature Sensor Circuit Short To Ground
B1391 Oil Level Switch Circuit Failure
B1392 Power Door Memory Lock Relay Circuit Failure
B1393 Power Door Memory Lock Relay Circuit Open
B1394 Power Door Memory Lock Relay Circuit Short To Battery
B1395 Power Door Memory Lock Relay Circuit Short To Ground
B1396 Power Door Lock Circuit Short To Battery
B1397 Power Door Unlock Circuit Short To Battery
B1398 Driver Power Window One Touch Window Relay Circuit Failure
B1399 Driver Power Window One Touch Window Relay Circuit Open
B1400 Driver Power Window One Touch Window Relay Circuit Short To Battery
B1401 Driver Power Window One Touch Window Relay Circuit Short To Ground
B1402 Driver Power Window Down Switch Circuit Failure
B1403 Driver Power Window Up Switch Circuit Failure
B1404 Driver Power Window Down Circuit Open
B1405 Driver Power Window Down Circuit Short To Battery
B1406 Driver Power Window Down Circuit Short To Ground
B1407 Driver Power Window Up Circuit Open
B1408 Driver Power Window Up Circuit Short To Battery
B1409 Driver Power Window Up Circuit Short To Ground
B1410 Driver Power Window Motor Circuit Failure
B1411 Driver Power Window Motor Circuit Open
B1412 Driver Power Window Motor Circuit Short To Battery
B1413 Driver Power Window Motor Circuit Short To Ground
B1414 Power Window LR Motor Circuit Failure
B1415 Power Window LR Motor Circuit Open
B1416 Power Window LR Motor Circuit Short To Battery
B1417 Power Window LR Motor Circuit Short To Ground
B1418 Passenger Power Window Motor Circuit Failure

B1419 Passenger Power Window Motor Circuit Open
B1420 Passenger Power Window Motor Circuit Short To Battery
B1421 Passenger Power Window Motor Circuit Short To Ground
B1422 Power Window RR Motor Circuit Failure
B1423 Power Window RR Motor Circuit Open
B1424 Power Window RR Motor Circuit Short To Battery
B1425 Power Window RR Motor Circuit Short To Ground
B1426 Lamp Seat Belt Circuit Short To Battery
B1427 Lamp Seat Belt Circuit Open
B1428 Lamp Seat Belt Circuit Failure
B1429 Lamp Seat Belt Circuit Short To Ground
B1430 Seat Belt Switch Circuit Short To Ground
B1431 Wiper Brake/Run Relay Circuit Failure
B1432 Wiper Brake/Run Relay Circuit Short To Battery
B1433 Wiper Brake/Run Relay Circuit Short To Ground
B1434 Wiper Hi/Low Speed Relay Coil Circuit Failure
B1435 Wiper Hi/Low Speed Relay Coil Circuit Open
B1436 Wiper Hi/Low Speed Relay Coil Circuit Short To Battery
B1437 Wiper Hi/Low Speed Relay Coil Circuit Short To Ground
B1438 Wiper Mode Select Switch Circuit Failure
B1439 Wiper Mode Select Switch Circuit Open
B1440 Wiper Mode Select Switch Circuit Short To Battery
B1441 Wiper Mode Select Switch Circuit Short To Ground
B1442 Door Handle Switch Circuit Failure
B1443 Door Handle Switch Circuit Open
B1444 Door Handle Switch Circuit Short To Battery
B1445 Door Handle Switch Circuit Short To Ground
B1446 Wiper Park Sense Circuit Failure
B1447 Wiper Park Sense Circuit Open
B1448 Wiper Park Sense Circuit Short To Battery
B1449 Wiper Park Sense Circuit Short To Ground
B1450 Wiper Wash/Delay Switch Circuit Failure
B1451 Wiper Wash/Delay Switch Circuit Open
B1452 Wiper Wash/Delay Switch Circuit Short To Battery
B1453 Wiper Wash/Delay Switch Circuit Short To Ground
B1454 Wiper Washer Fluid Lamp Circuit Failure
B1455 Wiper Washer Fluid Lamp Circuit Open
B1456 Wiper Washer Fluid Lamp Circuit Short To Battery
B1457 Wiper Washer Fluid Lamp Circuit Short To Ground
B1458 Wiper Washer Pump Motor Relay Circuit Failure
B1459 Wiper Washer Pump Motor Relay Coil Circuit Open
B1460 Wiper Washer Pump Motor Relay Coil Circuit Short To Battery
B1461 Wiper Washer Pump Motor Relay Coil Circuit Short To Ground
B1462 Seat Belt Switch Circuit Failure
B1463 Seat Belt Switch Circuit Open
B1464 Seat Belt Switch Circuit Short To Battery
B1465 Wiper Brake/Run Relay Circuit Open
B1466 Wiper Hi/Low Speed Not Switching
B1467 Wiper Hi/Low Speed Circuit Motor Short To Battery
B1468 Chime Input Request Circuit Failure
B1469 Chime Input Request Circuit Open
B1470 Lamp Headlamp Input Circuit Failure
B1471 Lamp Headlamp Input Circuit Open
B1472 Lamp Headlamp Input Circuit Short To Ground
B1473 Wiper Low Speed Circuit Motor Failure
B1474 Battery Saver Power Relay Circuit Short To Battery
B1475 Accessory Delay Relay Contact Short To Battery
B1476 Wiper High Speed Circuit Motor Failure

B1477 Wiper Hi/Low Circuit Motor Short To Ground
B1478 Power Window One Touch Up/Down Activated Simultaneously
B1479 Wiper Washer Fluid Level Sensor Circuit Failure
B1480 Wiper Washer Fluid Level Sensor Circuit Open
B1481 Wiper Washer Fluid Level Sensor Circuit Short To Battery
B1482 Wiper Washer Fluid Level Sensor Circuit Short To Ground
B1483 Brake Pedal Input Circuit Failure
B1484 Brake Pedal Input Open Circuit
B1485 Brake Pedal Input Circuit Battery Short
B1486 Brake Pedal Input Circuit Ground Short
B1487 Door Handle Right Front Circuit Failure
B1488 Door Handle Right Front Circuit Open
B1489 Door Handle Right Front Short To Battery
B1490 Door Handle Right Front Short To Ground
B1491 Ignition Cylinder Sensor Circuit Failure
B1492 Ignition Cylinder Sensor Open Circuit
B1493 Ignition Cylinder Sensor Battery Short
B1494 Ignition Cylinder Sensor Ground Short
B1495 Decklid Punch-Out Sensor Circuit Failure
B1496 Decklid Punch-Out Sensor Open Circuit
B1497 Decklid Punch-Out Sensor Battery Short
B1498 Decklid Punch-Out Sensor Ground Short
B1499 Lamp Turn Signal Left Circuit Failure
B1500 Lamp Turn Signal Left Circuit Open
B1501 Lamp Turn Signal Left Circuit Short To Battery
B1502 Lamp Turn Signal Left Circuit Short To Ground
B1503 Lamp Turn Signal Right Circuit Failure
B1504 Lamp Turn Signal Right Circuit Open
B1505 Lamp Turn Signal Right Circuit Short To Battery
B1506 Lamp Turn Signal Right Circuit Short To Ground
B1507 Flash To Pass Switch Circuit Failure
B1508 Flash To Pass Switch Circuit Open
B1509 Flash To Pass Switch Circuit Short To Battery
B1510 Flash To Pass Switch Circuit Short To Ground
B1511 Driver Door Handle Circuit Failure
B1512 Driver Door Handle Circuit Open
B1513 Driver Door Handle Circuit Short To Battery
B1514 Driver Door Handle Circuit Short To Ground
B1515 Seat Driver Occupied Switch Circuit Failure
B1516 Seat Driver Occupied Switch Circuit Open
B1517 Seat Driver Occupied Switch Circuit Short To Battery
B1518 Seat Driver Occupied Switch Circuit Short To Ground
B1519 Hood Switch Circuit Failure
B1520 Hood Switch Circuit Open
B1521 Hood Switch Circuit Short To Battery
B1522 Hood Switch Circuit Short To Ground
B1523 Keyless Entry Circuit Failure
B1524 Keyless Entry Circuit Open
B1525 Keyless Entry Circuit Short To Battery
B1526 Keyless Entry Circuit Short To Ground
B1527 Memory Set Switch Circuit Failure
B1528 Memory Set Switch Circuit Open
B1529 Memory Set Switch Circuit Short To Battery
B1530 Memory Set Switch Circuit Short To Ground
B1531 Memory 1 Switch Circuit Failure
B1532 Memory 1 Switch Circuit Open
B1533 Memory 1 Switch Circuit Short To Battery
B1534 Memory 1 Switch Circuit Short To Ground

B1535 Memory 2 Switch Circuit Failure
B1536 Memory 2 Switch Circuit Open
B1537 Memory 2 Switch Circuit Short To Battery
B1538 Memory 2 Switch Circuit Short To Ground
B1539 Mirror Driver Switch Assembly Circuit Failure
B1540 Mirror Driver Switch Assembly Circuit Open
B1541 Mirror Driver Switch Assembly Circuit Short To Battery
B1542 Mirror Driver Switch Assembly Circuit Short To Ground
B1543 Seat Direction Switch Assembly Circuit Failure
B1544 Seat Direction Switch Assembly Circuit Open
B1545 Seat Direction Switch Assembly Circuit Short To Battery
B1546 Seat Direction Switch Assembly Circuit Short To Ground
B1547 Power Window Master Circuit Failure
B1548 Power Window Master Circuit Open
B1549 Power Window Master Circuit Short To Battery
B1550 Power Window Master Circuit Short To Ground
B1551 Decklid Release Circuit Failure
B1552 Decklid Release Circuit Open
B1553 Decklid Release Circuit Short To Battery
B1554 Decklid Release Circuit Short To Ground
B1555 Ignition Run/Start Circuit Failure
B1556 Ignition Run/Start Circuit Open
B1557 Ignition Run/Start Circuit Short To Battery
B1558 Ignition Run/Start Circuit Short To Ground
B1559 Door Lock Cylinder Circuit Failure
B1560 Door Lock Cylinder Circuit Open
B1561 Door Lock Cylinder Circuit Short To Battery
B1562 Door Lock Cylinder Circuit Short To Ground
B1563 Door Ajar Circuit Failure
B1564 Door Ajar Circuit Open
B1565 Door Ajar Circuit Short To Battery
B1566 Door Ajar Circuit Short To Ground
B1567 Lamp Headlamp High-Beam Circuit Failure
B1568 Lamp Headlamp High-Beam Circuit Open
B1569 Lamp Headlamp High-Beam Circuit Short To Battery
B1570 Lamp Headlamp High-Beam Circuit Short To Ground
B1571 Door Ajar LR Circuit Failure
B1572 Door Ajar LR Circuit Open
B1573 Door Ajar LR Circuit Short To Battery
B1574 Door Ajar LR Circuit Short To Ground
B1575 Lamp Park Input Circuit Failure
B1576 Lamp Park Input Circuit Open
B1577 Lamp Park Input Circuit Short To Battery
B1578 Lamp Park Input Circuit Short To Ground
B1579 Dim Panel Increase Input Circuit Failure
B1580 Dim Panel Increase Input Circuit Open
B1581 Dim Panel Increase Input Circuit Short To Battery
B1582 Dim Panel Increase Input Circuit Short To Ground
B1583 Dim Panel Decrease Input Circuit Failure
B1584 Dim Panel Decrease Input Circuit Open
B1585 Dim Panel Decrease Input Circuit Short To Battery
B1586 Dim Panel Decrease Input Circuit Short To Ground
B1587 Autolamp Delay Increase Circuit Failure
B1588 Autolamp Delay Increase Circuit Open
B1589 Autolamp Delay Increase Circuit Short To Battery
B1590 Autolamp Delay Increase Circuit Short To Ground
B1591 Autolamp Delay Decrease Circuit Failure
B1592 Autolamp Delay Decrease Circuit Open

B1593 Autolamp Delay Decrease Circuit Short To Battery
B1594 Autolamp Delay Decrease Circuit Short To Ground
B1595 Ignition Switch Illegal Input Code
B1596 Service Continuous Codes
B1597 Driver's Seat Seatback Autoglide Forward Switch Circuit Short to Ground
B1598 Driver's Seat Seatback Autoglide Rearward Switch Circuit Short to Ground
B1599 Passenger's Seatback Autoglide Forward Switch Circuit Short to Ground
B1600 PATS Ignition Key Transponder Signal Is Not Received
B1601 PATS Received Incorrect Key-Code From Ignition Key Transponder
B1602 PATS Received Invalid Format Of Key-Code From Ignition Key Transponder
B1603 Lamp Anti-Theft Indicator Circuit Failure
B1604 Lamp Anti-Theft Indicator Circuit Open
B1605 Lamp Anti-Theft Indicator Circuit Short To Battery
B1606 Lamp Anti-Theft Indicator Circuit Short To Ground
B1607 Illuminated Entry Input Circuit Failure
B1608 Illuminated Entry Input Open Circuit
B1609 Illuminated Entry Input Short Circuit To Battery
B1610 Illuminated Entry Input Short Circuit To Ground
B1611 Wiper Rear Mode Select Switch Circuit Failure
B1612 Wiper Rear Mode Select Switch Circuit Open
B1613 Wiper Rear Mode Select Switch Circuit Short To Battery
B1614 Wiper Rear Mode Select Switch Circuit Short To Ground
B1615 Wiper Rear Disable Switch Circuit Failure
B1616 Wiper Rear Disable Switch Circuit Open
B1617 Wiper Rear Disable Switch Circuit Short To Battery
B1618 Wiper Rear Disable Switch Circuit Short To Ground
B1619 Wiper Rear Low Limit Input Circuit Failure
B1620 Wiper Rear Low Limit Input Circuit Open
B1621 Wiper Rear Low Limit Input Circuit Short To Battery
B1622 Wiper Rear Low Limit Input Circuit Short To Ground
B1623 Lamp Keypad Output Circuit Failure
B1624 Lamp Keypad Output Open Circuit
B1625 Lamp Keypad Output Short Circuit To Battery
B1626 Lamp Keypad Output Short Circuit To Ground
B1627 PRNDL Reverse Input Circuit Failure
B1628 PRNDL Reverse Input Open Circuit
B1629 PRNDL Reverse Input Short To Battery
B1630 PRNDL Reverse Input Short Circuit To Ground
B1631 Mirror Driver Left Circuit Failure
B1632 Mirror Driver Left Circuit Open
B1633 Mirror Driver Left Circuit Short To Battery
B1634 Mirror Driver Left Circuit Short To Ground
B1635 Mirror Driver Right Circuit Failure
B1636 Mirror Driver Right Circuit Open
B1637 Mirror Driver Right Circuit Short To Battery
B1638 Mirror Driver Right Short To Ground
B1639 Mirror Passenger Left Circuit Failure
B1640 Mirror Passenger Left Circuit Open
B1641 Mirror Passenger Left Circuit Short To Battery
B1642 Mirror Passenger Left Circuit Short To Ground
B1643 Mirror Passenger Right Circuit Failure
B1644 Mirror Passenger Right Circuit Open
B1645 Mirror Passenger Right Circuit Short To Battery
B1646 Mirror Passenger Right Circuit Short To Ground
B1647 Seat Driver Recline Forward Circuit Failure
B1648 Seat Driver Recline Forward Circuit Open
B1649 Seat Driver Recline Forward Circuit Short To Battery
B1650 Seat Driver Recline Forward Circuit Short To Ground

B1651 Seat Driver Recline Backward Circuit Failure
B1652 Seat Driver Recline Backward Circuit Open
B1653 Seat Driver Recline Backward Circuit Short To Battery
B1654 Seat Driver Recline Backward Circuit Short To Ground
B1655 Seat Driver Rear Up Circuit Failure
B1656 Seat Driver Rear Up Circuit Open
B1657 Seat Driver Rear Up Circuit Short To Battery
B1658 Seat Driver Rear Up Circuit Short To Ground
B1659 Seat Driver Front Up Circuit Failure
B1660 Seat Driver Front Up Circuit Open
B1661 Seat Driver Front Up Circuit Short To Battery
B1662 Seat Driver Front Up Circuit Short To Ground
B1663 Seat Driver Front Up/Down Motor Stalled
B1664 Seat Driver Rear Up/Down Motor Stalled
B1665 Seat Driver Forward/Backward Motor Stalled
B1666 Seat Driver Recline Motor Stalled
B1667 Mirror Driver Up/Down Motor Stalled
B1668 Mirror Driver Right/Left Motor Stalled
B1669 Mirror Passenger Up/Down Motor Stalled
B1670 Mirror Passenger Right/Left Motor Stalled
B1671 Battery Module Voltage Out Of Range
B1672 Seat Driver Occupied Input Circuit Failure
B1673 Seat Driver Occupied Input Circuit Open
B1674 Seat Driver Occupied Input Circuit Short To Battery
B1675 Seat Driver Occupied Input Circuit Short To Ground
B1676 Battery Pack Voltage Out Of Range
B1677 Alarm Panic Input Circuit Failure
B1678 Alarm Panic Input Circuit Open
B1679 Alarm Panic Input Circuit Short To Battery
B1680 Alarm Panic Input Circuit Short To Ground
B1681 PATS Transceiver Module Signal Is Not Received
B1682 PATS Is Disabled (Check Link Between PATS And Transponder)
B1683 Mirror Driver/Passenger Switch Circuit Failure
B1684 Mirror Driver/Passenger Switch Circuit Open
B1685 Lamp Dome Input Circuit Failure
B1686 Lamp Dome Input Circuit Open
B1687 Lamp Dome Input Circuit Short To Battery
B1688 Lamp Dome Input Circuit Short To Ground
B1689 Autolamp Delay Circuit Failure
B1690 Autolamp Delay Circuit Open
B1691 Autolamp Delay Circuit Short To Battery
B1692 Autolamp Delay Circuit Short To Ground
B1693 Autolamp On Circuit Failure
B1694 Autolamp On Circuit Open
B1695 Autolamp On Circuit Short To Battery
B1696 Autolamp On Circuit Short To Ground
B1697 Mirror Driver/Passenger Switch Circuit Short To Battery
B1698 Mirror Driver/Passenger Switch Circuit Short To Ground
B1699 Passenger's Seat Occupied Switch Circuit Short to Ground
B1700 Passenger's Seatbelt Tension Reducer Circuit Short to Ground
B1701 Seat Driver Recline Forward Switch Circuit Failure
B1702 Seat Driver Recline Forward Switch Circuit Open
B1703 Seat Driver Recline Forward Switch Circuit Short To Battery
B1704 Seat Driver Recline Forward Switch Circuit Short To Ground
B1705 Seat Driver Recline Rearward Switch Circuit Failure
B1706 Seat Driver Recline Rearward Switch Circuit Open
B1707 Seat Driver Recline Rearward Switch Circuit Short To Battery
B1708 Seat Driver Recline Rearward Switch Circuit Short To Ground

B1709 Seat Driver Front Up Switch Circuit Failure
B1710 Seat Driver Front Up Switch Circuit Open
B1711 Seat Driver Front Up Switch Circuit Short To Battery
B1712 Seat Driver Front Up Switch Circuit Short To Ground
B1713 Seat Driver Front Down Switch Circuit Failure
B1714 Seat Driver Front Down Switch Circuit Open
B1715 Seat Driver Front Down Switch Circuit Short To Battery
B1716 Seat Driver Front Down Switch Circuit Short To Ground
B1717 Seat Driver Forward Switch Circuit Failure
B1718 Seat Driver Forward Switch Circuit Open
B1719 Seat Driver Forward Switch Circuit Short To Battery
B1720 Seat Driver Forward Switch Circuit Short To Ground
B1721 Seat Driver Rearward Switch Circuit Failure
B1722 Seat Driver Rearward Switch Circuit Open
B1723 Seat Driver Rearward Switch Circuit Short To Battery
B1724 Seat Driver Rearward Switch Circuit Short To Ground
B1725 Seat Driver Rear Up Switch Circuit Failure
B1726 Seat Driver Rear Up Switch Circuit Open
B1727 Seat Driver Rear Up Switch Circuit Short To Battery
B1728 Seat Driver Rear Up Switch Circuit Short To Ground
B1729 Seat Driver Rear Down Switch Circuit Failure
B1730 Seat Driver Rear Down Switch Circuit Open
B1731 Seat Driver Rear Down Switch Circuit Short To Battery
B1732 Seat Driver Rear Down Switch Circuit Short To Ground
B1733 Mirror Driver Vertical Switch Circuit Failure
B1734 Mirror Driver Vertical Switch Circuit Open
B1735 Mirror Driver Vertical Switch Circuit Short To Battery
B1736 Mirror Driver Vertical Switch Circuit Short To Ground
B1737 Mirror Driver Horizontal Switch Circuit Failure
B1738 Mirror Driver Horizontal Switch Circuit Open
B1739 Mirror Driver Horizontal Switch Circuit Short To Battery
B1740 Mirror Driver Horizontal Switch Circuit Short To Ground
B1741 Mirror Passenger Vertical Switch Circuit Failure
B1742 Mirror Passenger Vertical Switch Circuit Open
B1743 Mirror Passenger Vertical Switch Circuit Short To Battery
B1744 Mirror Passenger Vertical Switch Circuit Short To Ground
B1745 Mirror Passenger Horizontal Switch Circuit Failure
B1746 Mirror Passenger Horizontal Switch Circuit Open
B1747 Mirror Passenger Horizontal Switch Circuit Short To Battery
B1748 Mirror Passenger Horizontal Switch Circuit Short To Ground
B1749 Park/Neutral Switch Circuit Failure
B1750 Park/Neutral Switch Circuit Open
B1751 Park/Neutral Switch Circuit Short To Battery
B1752 Park/Neutral Switch Circuit Short To Ground
B1753 Hazard Flash Output Circuit Failure
B1754 Hazard Flash Output Circuit Open
B1755 Hazard Flash Output Circuit Short Battery
B1756 Hazard Flash Output Circuit Short To Ground
B1757 Seat Driver Rear Down Circuit Failure
B1758 Seat Driver Rear Down Circuit Open
B1759 Seat Driver Rear Down Circuit Short To Battery
B1760 Seat Driver Rear Down Circuit Short To Ground
B1761 Seat Driver Front Down Circuit Failure
B1762 Seat Driver Front Down Circuit Open
B1763 Seat Driver Front Down Circuit Short To Battery
B1764 Seat Driver Front Down Circuit Short To Ground
B1765 Seat Driver Forward Circuit Failure
B1766 Seat Driver Forward Circuit Open

B1767 Seat Driver Forward Circuit Short To Battery
B1768 Seat Driver Forward Circuit Short To Ground
B1769 Seat Driver Backward Circuit Failure
B1770 Seat Driver Backward Circuit Open
B1771 Seat Driver Backward Circuit Short To Battery
B1772 Seat Driver Backward Circuit Short To Ground
B1773 Mirror Driver Up Circuit Failure
B1774 Mirror Driver Up Circuit Open
B1775 Mirror Driver Up Circuit Short To Battery
B1776 Mirror Driver Up Circuit Short To Ground
B1777 Driver's Seatbelt Tension Reducer Circuit Short to Ground
B1778 Mirror Driver Down Circuit Failure
B1779 Mirror Driver Down Circuit Open
B1780 Mirror Driver Down Circuit Short To Battery
B1781 Mirror Driver Down Short To Ground
B1782 Mirror Passenger Up Circuit Failure
B1783 Mirror Passenger Up Circuit Open
B1784 Mirror Passenger Up Circuit Short To Battery
B1785 Mirror Passenger Up Circuit Short To Ground
B1786 Mirror Passenger Down Circuit Failure
B1787 Mirror Passenger Down Circuit Open
B1788 Mirror Passenger Down Circuit Short To Battery
B1789 Mirror Passenger Down Circuit Short To Ground
B1790 Autolamp Sensor Input Circuit Failure
B1791 Autolamp Sensor Input Circuit Open
B1792 Autolamp Sensor Input Circuit Short To Battery
B1793 Autolamp Sensor Input Circuit Short To Ground
B1794 Lamp Headlamp Low-Beam Circuit Failure
B1795 Lamp Headlamp Low-Beam Circuit Open
B1796 Lamp Headlamp Low-Beam Circuit Short To Battery
B1797 Lamp Headlamp Low-Beam Circuit Short To Ground
B1798 Lamp Turn Signal Front Output Circuit Failure
B1799 Lamp Turn Signal Front Output Circuit Open
B1800 Lamp Turn Signal Front Output Circuit Short To Battery
B1801 Lamp Turn Signal Front Output Circuit Short To Ground
B1802 Lamp Turn Signal Rear Output Circuit Failure
B1803 Lamp Turn Signal Rear Output Circuit Open
B1804 Lamp Turn Signal Rear Output Circuit Short To Battery
B1805 Lamp Turn Signal Rear Output Circuit Short To Ground
B1806 Lamp Tail Output Circuit Failure
B1807 Lamp Tail Output Circuit Open
B1808 Lamp Tail Output Circuit Short To Battery
B1809 Lamp Tail Output Circuit Short To Ground
B1810 Lamp Backup Switch Input Circuit Failure
B1811 Lamp Backup Switch Input Circuit Open
B1812 Lamp Backup Switch Input Circuit Short To Battery
B1813 Lamp Backup Switch Input Circuit Short To Ground
B1814 Wiper Rear Motor Down Relay Coil Circuit Failure
B1815 Wiper Rear Motor Down Relay Coil Circuit Open
B1816 Wiper Rear Motor Down Relay Coil Circuit Short To Battery
B1817 Wiper Rear Motor Down Relay Coil Circuit Short To Ground
B1818 Wiper Rear Motor Up Relay Coil Circuit Failure
B1819 Wiper Rear Motor Up Relay Coil Circuit Open
B1820 Wiper Rear Motor Up Relay Coil Circuit Short To Battery
B1821 Wiper Rear Motor Up Relay Coil Circuit Short To Ground
B1822 Wiper Rear Park Sense Input Circuit Failure
B1823 Wiper Rear Park Sense Input Circuit Open
B1824 Wiper Rear Park Sense Input Circuit Short To Battery

B1825 Wiper Rear Park Sense Input Circuit Short To Ground
B1826 Wiper Rear High Limit Input Circuit Failure
B1827 Wiper Rear High Limit Input Circuit Open
B1828 Wiper Rear High Limit Input Circuit Short To Battery
B1829 Wiper Rear High Limit Input Circuit Short To Ground
B1830 Door Unlock Disarm Switch Circuit Failure
B1831 Door Unlock Disarm Switch Circuit Open
B1832 Door Unlock Disarm Switch Circuit Short To Battery
B1833 Door Unlock Disarm Switch Circuit Short To Ground
B1834 Door Unlock Disarm Output Circuit Failure
B1835 Door Unlock Disarm Output Circuit Open
B1836 Door Unlock Disarm Output Circuit Short To Battery
B1837 Door Unlock Disarm Output Circuit Short To Ground
B1838 Battery Saver Power Relay Circuit Failure
B1839 Wiper Rear Motor Circuit Failure
B1840 Wiper Front Power Circuit Failure
B1841 Wiper Front Power Circuit Open
B1842 Wiper Front Power Circuit Short To Battery
B1843 Wiper Front Power Circuit Short To Ground
B1844 Phone Handset Circuit Failure
B1845 Ignition Tamper Circuit Failure
B1846 Ignition Tamper Circuit Open
B1847 Ignition Tamper Circuit Short To Battery
B1848 Ignition Tamper Circuit Short To Ground
B1849 Climate Control Temperature Differential Circuit Failure
B1850 Climate Control Temperature Differential Circuit Open
B1851 Climate Control Temperature Differential Circuit Short To Battery
B1852 Climate Control Temperature Differential Circuit Short To Ground
B1853 Climate Control Air Temperature Internal Sensor Motor Circuit Failure
B1854 Climate Control Air Temperature Internal Sensor Motor Circuit Open
B1855 Climate Control Air Temperature Internal Sensor Motor Circuit Short To Battery
B1856 Climate Control Air Temperature Internal Sensor Motor Circuit Short To Ground
B1857 Climate Control On/Off Switch Circuit Failure
B1858 Climate Control A/C Pressure Switch Circuit Failure
B1859 Climate Control A/C Pressure Switch Circuit Open
B1860 Climate Control A/C Pressure Switch Circuit Short To Battery
B1861 Climate Control A/C Pressure Switch Circuit Short To Ground
B1862 Climate Control A/C Lock Sensor Failure
B1863 Ground ECU Circuit Open
B1864 Battery Power Supply ECU Circuit Failure
B1865 Battery Power Supply ECU Circuit Open
B1866 Battery Power Supply ECU Circuit Short To Battery
B1867 Battery Power Supply ECU Circuit Short To Ground
B1868 Lamp Air Bag Warning Indicator Circuit Failure
B1869 Lamp Air Bag Warning Indicator Circuit Open
B1870 Lamp Air Bag Warning Indicator Circuit Short To Battery
B1871 Passenger Air Bag Disable Module Fault
B1872 Turn Signal / Hazard Power Feed Circuit Short To Battery
B1873 Turn Signal / Hazard Power Feed Circuit Short To Ground
B1874 Cellular Phone Handset Not Present
B1875 Turn Signal / Hazard Switch Signal Circuit Failure
B1876 Seatbelt Driver Pretensioner Circuit Failure
B1877 Seatbelt Driver Pretensioner Circuit Open
B1878 Seatbelt Driver Pretensioner Circuit Short to Battery
B1879 Seatbelt Driver Pretensioner Circuit Short to Ground
B1880 Seatbelt Passenger Pretensioner Circuit Failure
B1881 Seatbelt Passenger Pretensioner Circuit Open
B1882 Seatbelt Passenger Pretensioner Circuit Short to Battery

B1883 Seatbelt Passenger Pretensioner Circuit Short to Ground
B1884 PAD Warning Lamp Inoperative
B1885 Seatbelt Driver Pretensioner Circuit Resistance Low on Squib
B1886 Seatbelt Passenger Pretensioner Circuit Resistance Low on Squib
B1887 Air Bag Driver Circuit Resistance Low or Shorted Together
B1888 Air Bag Passenger Circuit Resistance Low or Shorted Together
B1889 Passenger Airbag Disable Module Sensor Obstructed
B1890 PAD Warning Lamp Circuit Short to Battery
B1891 Air Bag Tone Warning Indicator Circuit Short to Battery
B1892 Air Bag Tone Warning Indicator Circuit Failure
B1893 GPS Antenna Open Circuit
B1894 Wiper Rear Motor Speed Sense Circuit Failure
B1895 Driver's / Passenger's Door Ajar Output Circuit Failure
B1896 Driver's / Passenger's Door Ajar Output Circuit Short to Battery
B1897 Horn Switch Circuit Failure
B1898 Chime Input #2 Circuit Short to Ground
B1899 Microphone Input Signal Circuit Open
B1900 Driver Side Airbag Fault
B1901 Air Bag Crash Sensor #1 Feed/Return Circuit Short To Ground
B1902 Air Bag Crash Sensor #1 Ground Circuit Failure
B1903 Air Bag Crash Sensor #1 Ground Circuit Short To Battery
B1904 Air Bag Crash Sensor #2 Feed/Return Circuit Failure
B1905 Air Bag Crash Sensor #2 Feed/Return Circuit Short To Battery
B1906 Air Bag Crash Sensor #2 Feed/Return Circuit Short To Ground
B1907 Air Bag Crash Sensor #2 Ground Circuit Failure
B1908 Air Bag Crash Sensor #2 Ground Circuit Short To Battery
B1909 Air Bag Crash Sensor #2 Ground Circuit Short To Ground
B1910 Air Bag Diagnostic Monitor Ground Circuit Failure
B1911 Air Bag Diagnostic Monitor Ground Circuit Short To Battery
B1912 Air Bag Diagnostic Monitor Ground Circuit Short To Ground
B1913 Air Bag Driver/Passenger Circuit Short To Ground
B1914 Air Bag Crash Sensors #1 / #2 Circuit Short To Ground
B1915 Air Bag Driver Circuit Failure
B1916 Air Bag Driver Circuit Short To Battery
B1917 Air Bag Memory Clear Circuit Failure
B1918 Air Bag Memory Clear Circuit Open
B1919 Air Bag Memory Clear Circuit Short To Battery
B1920 Air Bag Passenger Circuit Failure
B1921 Air Bag Diagnostic Monitor Ground Circuit Open
B1922 Air Bag Safing Sensor Output Circuit Short To Battery
B1923 Air Bag Memory Clear Circuit Short To Ground
B1924 Air Bag Internal Diagnostic Monitor Fault or System Disarm Fault
B1925 Air Bag Passenger Circuit Short To Battery
B1926 Air Bag Passenger Pressure Switch Circuit Failure
B1927 Passenger Side Airbag Fault
B1928 Air Bag Safing Sensor Output Circuit Failure
B1929 Air Bag Safing Sensor Output Circuit Open
B1930 Air Bag Safing Sensor Output Circuit Short To Ground
B1931 Air Bag Crash Sensor #1 Feed/Return Circuit Failure
B1932 Air Bag Driver Circuit Open
B1933 Air Bag Passenger Circuit Open
B1934 Air Bag Driver Inflator Circuit Resistance Low on Squib
B1935 Air Bag Passenger Inflator Circuit Resistance Low on Squib
B1936 Air Bag Driver Circuit Short To Ground
B1937 Air Bag Passenger Pressure Switch Circuit Open
B1938 Air Bag Passenger Circuit Short To Ground
B1939 Air Bag Passenger Pressure Switch Circuit Short To Ground
B1941 Air Bag Crash Sensor #1 Feed/Return Circuit Open

B1942 Air Bag Crash Sensor #2 Feed/Return Circuit Open
B1943 Air Bag Crash Sensor #1 Ground Circuit Short To Ground
B1944 Air Bag Crash Sensor #1 Ground Circuit Open
B1945 Air Bag Crash Sensor #2 Ground Circuit Open
B1946 Climate Control A/C Post Evaporator Sensor Circuit Failure
B1947 Climate Control A/C Post Evaporator Sensor Circuit Short To Ground
B1948 Climate Control Water Temperature Sensor Circuit Failure
B1949 Climate Control Water Temperature Sensor Circuit Short To Ground
B1950 Seat Rear Up/Down Potentiometer Feedback Circuit Failure
B1951 Seat Rear Up/Down Potentiometer Feedback Circuit Open
B1952 Seat Rear Up/Down Potentiometer Feedback Circuit Short To Battery
B1953 Seat Rear Up/Down Potentiometer Feedback Circuit Short To Ground
B1954 Seat Front Up/Down Potentiometer Feedback Circuit Failure
B1955 Seat Front Up/Down Potentiometer Feedback Circuit Open
B1956 Seat Front Up/Down Potentiometer Feedback Circuit Short To Battery
B1957 Seat Front Up/Down Potentiometer Feedback Circuit Short To Ground
B1958 Seat Recline Forward/Backward Potentiometer Feedback Circuit Failure
B1959 Seat Recline Forward/Backward Potentiometer Feedback Circuit Open
B1960 Seat Recline Forward/Backward Potentiometer Feedback Circuit Short To Battery
B1961 Seat Recline Forward/Backward Potentiometer Feedback Circuit Short To Ground
B1962 Seat Horizontal Forward/Rearward Potentiometer Feedback Circuit Failure
B1963 Seat Horizontal Forward/Rearward Potentiometer Feedback Circuit Open
B1964 Seat Horizontal Forward/Rearward Potentiometer Feedback Circuit Short To Battery
B1965 Seat Horizontal Forward/Rearward Potentiometer Feedback Circuit Short To Ground
B1966 A/C Post Heater Sensor Circuit Failure
B1967 A/C Post Heater Sensor Circuit Short To Ground
B1968 A/C Water Pump Detection Circuit Failure
B1969 A/C Clutch Magnetic Control Circuit Failure
B1970 Passenger Seatback Forward Switch Circuit Short to Ground
B1971 Passenger Seatback Rearward Switch Circuit Short to Ground
B1972 Passenger Rear Seat Up Switch Circuit Short to Battery
B1973 Passenger Rear Seat Down Switch Circuit Short to Battery
B1974 Passenger's Seat Recline Forward Switch Circuit Short to Battery
B1975 Passenger's Seat Recline Back Switch Circuit Short to Battery
B1976 Passenger's Seat Forward Switch Circuit Short to Battery
B1977 Passenger's Front Seat Up Switch Circuit Short to Battery
B1978 Passenger's Front Seat Down Switch Circuit Short to Battery
B1979 Passenger Seat Rearward Switch Circuit Short to Battery
B1980 Bulb - Outage Condition Detected
B1981 Memory Off Switch Circuit Short to Battery
B1982 Driver's Door Unlock Relay Circuit Failure
B1983 Driver's Door Unlock Relay Circuit Short to Battery
B1984 Seat Switch Lumbar Inflate Circuit Failure
B1985 Seat Switch Lumbar Deflate Circuit Failure
B1986 Driver's Seat Seatback Autoglide Rearward Switch Circuit Failure
B1987 Pedal Forward / Rearward Motor Stalled
B1988 Pedal Position Forward Switch Circuit Short to Battery
B1989 Pedal Position Rearward Switch Circuit Short to Battery
B1990 Pedal Forward / Rearward Potentiometer Feedback Circuit Failure
B1991 Pedal Forward / Rearward Potentiometer Feedback Circuit Short to Battery
B1992 Driver Side, Side mount Airbag Circuit Short to Vbatt
B1993 Driver Sid, Side mount Airbag Circuit Short to Ground
B1994 Driver Sid, Side mount Airbag Circuit Open
B1995 Driver Sid, Side mount Airbag Low resistance on Squib
B1996 Passenger Sid, Side mount Airbag Circuit Short to Vbatt
B1997 Passenger Sid, Side mount Airbag Circuit Short to Ground
B1998 Passenger Sid, Side mount Airbag Circuit Open
B1999 Passenger Sid, Side mount Airbag Low resistance on Squib

B2100 Door Driver Key Cylinder Switch Failure
B2101 Head Rest Switch Circuit Failure
B2102 Antenna Circuit Short to Ground
B2103 Antenna Not Connected
B2104 Door Passenger Key Cylinder Switch Failure
B2105 Throttle Position Input Out of Range Low
B2106 Throttle Position Input Out of Range High
B2107 Front Wiper Motor Relay Circuit Short to Vbatt
B2108 Trunk Key Cylinder Switch Failure
B2109 Heated Wind Shield Relay Short to Vbatt (changed from Failure 2/6/97)
B2110 Front Wiper Motor Relay Circuit Open (changed from Failure 2/6/97)
B2111 All Door Lock Input Short to Ground
B2112 Door Driver Set Switch Stuck Failure
B2113 Heated Windshield Input Short to Ground
B2114 Front Washer Input Short to Ground
B2115 Rear Washer Input Short to Ground
B2116 Door Driver Reset Switch Stuck Failure
B2117 Driver Side, Side mount Airbag Low capacitance on Squib
B2118 Passenger Sid, Side mount Airbag Low capacitance on Squib
B2119 Compressor Failure
B2120 Door Passenger Set Switch Stuck Failure
B2122 Driver Side Satellite Communication Circuit Short to Ground
B2123 Passenger Side Satellite Communication Circuit Short to Ground
B2124 Door Passenger Reset Switch Stuck Failure
B2128 Central Lock Motor Failure
B2129 Central Lock Feedback Failure
B2130 Double Lock Timeout Failure
B2131 Double Lock Feedback Failure
B2132 Dimmer switch Circuit Short to Gnd
B2133 Brake Motor Warning lamp Circuit Failure
B2134 Brake Motor Warning lamp Circuit Short to Vbatt
B2135 Park Brake Applied Warning Lamp Circuit Failure
B2136 Park Brake Applied Warning Lamp Circuit Short To Battery
B2139 Data Mismatch (receive data does not match what was expected)
B2141 NVM Configuration Failure
B2142 NVM TIC Failure
B2143 NVM Memory Failure
B2144 NVM Alarm Data Failure
B2145 NVM RF HR Failure
B2146 Seat Recline Motor Position Out of Range
B2148 PWM Input Circuit Failure
B2149 Seat Front Vertical Motor Position Out of Range
B2150 Power Supply #1 Circuit Short to Ground
B2151 Power Supply #2 Circuit Short to Ground
B2152 Seat Rear Vertical Motor Position Out of Range
B2153 Rear Echo Sensor Circuit Failure
B2154 Front Echo Sensor Circuit Failure
B2155 Seat Horizontal Motor Position Out of Range
B2156 Rear Doppler Sensor Circuit Failure
B2157 Front Doppler Sensor Circuit Failure
B2158 Seat Recline Motor Memory Position Out of Range
B2159 Memory #1 output Short to Ground
B2160 Memory #1 output Short to VBatt
B2161 Seat Front Vertical Motor Memory Position Out of Range
B2162 Data Mismatch #2 (receive data does not match what was expected)
B2163 Clutch Position Fault
B2164 Seat Rear Vertical Motor Memory Position Out of Range
B2165 Gear shift position Fault

B2166 Gear select position Fault
B2167 Seat Horizontal Motor Memory Position Out of Range
B2168 Unable to confirm Unlock Condition
B2169 Unable to confirm lock Condition
B2170 Steering Column Lock Switch Circuit Failure
B2172 Inertia Switch input Circuit Open
B2174 Window Driver Rear Remote Up Switch Short to Battery
B2175 A/C Request Signal Circuit Short to Ground
B2176 Overdrive switch circuit short to Vbatt
B2177 Interior Scanning Sensor Circuit Failure
B2178 Window Driver Rear Remote Down Switch Short to Battery
B2179 Front Wiper Select Switch "A" Short to Ground
B2180 Front Wiper Select Switch "B" Short to Ground
B2181 Front Wiper Select Switch "C" Short to Ground
B2182 Window Passenger Front Remote Up Switch Short to Battery
B2183 Front Wiper Select Switch "H" Short to Ground
B2184 Front Wiper Select Switch "W" Short to Ground
B2185 Rear Wiper Select Switch "D" Short to Ground
B2186 Window Passenger Front Remote Down Switch Short to Battery
B2187 Rear Wiper Select Switch "B" Short to Ground
B2188 Rear Wiper Select Switch "E" Short to Ground
B2190 Window Passenger Rear Remote Up Switch Short to Battery
B2194 Window Passenger Rear Remote Down Switch Short to Battery
B2195 Driver Window Up / Down Power Circuit Short to Ground
B2196 Passenger Window Up / Down Power Circuit Short to Ground
B2197 TV Module Error
B2198 TrafficMaster Module Error
B2199 VICS Module Error
B2200 No Communication to TV Module (No Fitting of TV)
B2201 No Communication With Traffic MasterModule
B2202 No Communication to VICS Module (No Fitting of VICS)
B2203 CD-ROM Error
B2204 GPS Antenna Connection Open or Short
B2205 GPS Receiver Error
B2206 Gyroscope Error
B2207 ECU ROM Checksum Error
B2208 Communication Link to Display and Switch Module Error
B2209 Interior Lamp Override Switch Open Circuit
B2210 Interior Lamp Override Switch Short to Ground
B2211 Low Coolant Lamp Output Circuit Short to Battery
B2214 Window Passenger Front Up Switch Short to Battery
B2215 Window Passenger Front Down Switch Short to Battery
B2219 Window Driver Front Current Feedback Exceeded
B2220 Window Driver Rear Current Feedback Exceeded
B2221 Window Passenger Front Current Feedback Exceeded
B2222 Window Passenger Rear Current Feedback Exceeded
B2223 Mirror Driver Drive Circuit Failure
B2224 Mirror Passenger Drive Circuit Failure
B2225 Front Crash Sensor Mount Fault
B2226 Front Crash Sensor Internal Fault
B2227 Front Crash Sensor Driver Communications Fault
B2228 Air Bag Driver Circuit Short to Ground - Loop #2
B2229 Air Bag Passenger Circuit Short to Ground - Loop #2
B2230 Air Bag Driver Circuit Short to Battery - Loop #2
B2231 Air Bag Passenger Circuit Short to Battery - Loop #2
B2232 Air Bag Driver Circuit Open - Loop #2
B2233 Air Bag passenger Circuit Open - Loop #2
B2234 Air Bag Driver Inflator Circuit Resistance Low on Squib - Loop #2

B2235 Air Bag Passenger Inflator Circuit
B2236 Weak or Defected Electric Vehicle Battery Module Fault
B2237 Vehicle Signal indicating Park While VSS Present
B2238 Power Cable For Power Sliding Door Broken
B2239 Rear Cargo Door Set Switch Stuck (Short to Ground)
B2240 Rear Cargo Door Reset Switch Stuck (Short to Ground)
B2241 Rear Cargo Door Lock Circuit Short to Ground
B2242 Rear Cargo Door Unlock Circuit Open
B2243 Driver Rear Door Ajar Circuit Open
B2244 Driver Sliding Door Ajar Circuit Short to GND
B2245 Passenger Rear Door Ajar Circuit Open
B2246 Passenger Sliding Door Ajar Circuit Short to GND
B2247 EV Battery Pack Temperature Fault
B2248 Heated Windshield Relay Coil Circuit Failure
B2249 Head Lamp Relay Coil Short to Battery
B2250 All Doors Unlock Relay Circuit Failure
B2251 Parklamp Output Relay Driver Circuit Failure
B2252 Parklamp Output Relay Dirver Short to Battery
B2300 Seat Driver Memory Position Error
B2301 Seat Passenger Memory Position Error
B2302 Seat Headrest Feedback Potentiometer Circuit Failure
B2303 Seat Headrest Feedback Potentiometer Circuit Open
B2304 Seat Headrest Feedback Potentiometer Circuit Short to Battery
B2305 Seat Headrest Feedback Potentiometer Circuit Short to Ground
B2306 Seat Headrest Motor Stalled
B2310 Mirror Driver Memory Position Error
B2311 Mirror Passenger Memory Position Error
B2312 Mirror Passenger Horizontal Feedback Potentiometer Circuit Failure
B2313 Mirror Passenger Horizontal Feedback Potentiometer Circuit Open
B2314 Mirror Passenger Horizontal Feedback Potentiometer Circuit Short to Battery
B2315 Mirror Passenger Horizontal Feedback Potentiometer Circuit Short to Ground
B2316 Mirror Passenger Vertical Feedback Potentiometer Circuit Failure
B2317 Mirror Passenger Vertical Feedback Potentiometer Circuit Open
B2318 Mirror Passenger Vertical Feedback Potentiometer Circuit Short to Battery
B2319 Mirror Passenger Vertical Feedback Potentiometer Circuit Short to Ground
B2320 Mirror Driver Horizontal Feedback Potentiometer Circuit Failure
B2321 Mirror Driver Horizontal Feedback Potentiometer Circuit Open
B2322 Mirror Driver Horizontal Feedback Potentiometer Circuit Short to Battery
B2323 Mirror Driver Horizontal Feedback Potentiometer Circuit Short to Ground
B2324 Mirror Driver Vertical Feedback Potentiometer Circuit Failure
B2325 Mirror Driver Vertical Feedback Potentiometer Circuit Open
B2326 Mirror Driver Vertical Feedback Potentiometer Circuit Short to Battery
B2327 Mirror Driver Vertical Feedback Potentiometer Circuit Short to Ground
B2328 Column Reach Feedback Potentiometer Circuit Failure
B2329 Column Reach Feedback Potentiometer Circuit Open
B2330 Column Reach Feedback Potentiometer Circuit Short to Battery
B2331 Column Reach Feedback Potentiometer Circuit Short to Ground
B2332 Column Tilt Feedback Potentiometer Circuit Failure
B2333 Column Tilt Feedback Potentiometer Circuit Open
B2334 Column Tilt Feedback Potentiometer Circuit Short to Battery
B2335 Column Tilt Feedback Potentiometer Circuit Short to Ground
B2336 Mirror Switch Assembly Circuit Failure
B2337 Mirror Switch Assembly Circuit Open
B2338 Mirror Switch Assembly Circuit Short to Battery
B2339 Mirror Switch Assembly Circuit Short to Ground
B2340 Column Reach Motor Stalled
B2341 Column Tilt Motor Stalled
B2342 Seat Switch Reference Voltage Positive Common Open Circuit

B2343 Seat Switch Reference Voltage Positive Common Supply Low Voltage
B2344 Seat Switch Reference Voltage Positive Common Supply Voltage Fault
B2345 Seat Switch Reference Voltage Negative Common Open Circuit
B2346 Mirror Switch Reference Voltage Positive Common Open Circuit
B2347 Mirror Switch Reference Voltage Positive Common Supply Low Voltage
B2348 Mirror Switch Reference Voltage Positive Common Supply Voltage Fault
B2349 Mirror Switch Reference Voltage Negative Common Open Circuit
B2350 Steering Column Switch Circuit Short to Battery
B2351 Steering Column Switch Circuit Failure
B2352 Driver Memory Power Switch Indicator Circuit Short to Battery
B2353 Driver Mirror Power Driver Circuit Short Ground
B2354 Driver Mirror Horizontal / Vertical Feedback Potentiometer Circuit Open
B2355 Passenger Mirror Horizontal / Vertical Feedback Potentiometer Circuit Open
B2357 Driver Window Down Current Sense Low Circuit Failure
B2362 Remote Open/Close signal Circuit Short to Ground
B2363 Optical Sensor System Failure
B2364 Fuel Filler Door Circuit Open
B2365 B-pillar Power Sliding Door Open/Close Switch Input Ckt Short to Gnd
B2366 IP Power Sliding Door Open/Close switch Ckt Short to Gnd
B2367 Power Sliding Door Override Switch Input Ckt Short to Gnd
B2368 Steering Column Switch Circuit Out of Range
B2369 Chime OUTPUT Request Ckt Short to Ground
B2373 LED #1 Circuit Short to Battery
B2374 Power Sliding Detent (Latch) Circuit Failure
B2380 Heater Coolant Temp sensor circuit Short to GND
B2381 Heater Coolant Temp sensor circuit Open
B2384 Audio Reverse Aid Mute Input Ckt Failure
B2385 Audio Navigation Mute Input Ckt Failure
B2401 Audio Tape Deck Mechanism Fault
B2402 Audio CD/DJ Thermal Shutdown Fault
B2403 Audio CD/DJ Internal Fault
B2404 Audio Steering Wheel Switch Circuit Fault
B2405 Audio Single-Disc CD Player Thermal Shutdown Fault
B2406 Audio Single-Disc CD Player Internal Fault
B2416 Climate Control Recirculation Actuator Out of Limits
B2425 Remote Keyless Entry Out of Synchronization
B2426 Passenger Solar Radiation Sensor Circuit Open
B2427 Passenger Solar Radiation Sensor Circuit Short to Ground
B2428 A/C Post Heater Sensor #2 Circuit Failure
B2429 A/C Post Heater Sensor #2 Circuit Short to Ground
B2431 Transponder Programming Failed
B2432 Drivers Seat Belt Buckle Switch Circuit Open
B2433 Drivers Seat Belt Buckle Switch Circuit Short to Battery
B2434 Drivers Seat Belt Buckle Switch Circuit Short to Ground
B2435 Drivers Seat Belt Buckle Switch Resistance out of Range
B2436 Passengers Seat Belt Buckle Switch Circuit Open
B2437 Passengers Seat Belt Buckle Switch Circuit Short to Battery
B2438 Passengers Seat Belt Buckle Switch Circuit Short to Ground
B2439 Passengers Seat Belt Buckle Switch Resistance out of Range
B2440 Passenger Sid, Side crash sensor mount fault
B2441 Driver Sid, Side crash sensor mount fault
B2442 Intrusion Sensor Fault
B2443 Powertrain Performance Mode Switch Circuit failure
B2444 Driver Side Crash Sensor Internal Fault
B2445 Passenger Side Crash Sensor Internal Fault
B2446 RESCU/VEMS Input Circuit Open
B2447 RESCU/VEMS Input Circuit Short to Battery
B2448 RESCU/VEMS Input Circuit Short to Ground

B2449 Aux Heater Glow Plug Circuit Short to Ground
B2450 Aux Heater Glow Plug Circuit Open
B2451 Aux Heater Fuel Pump Circuit Short to Ground
B2452 Aux Heater Fuel Pump Circuit Open
B2453 Aux Heater Blower Fan Circuit Short to Ground
B2454 Aux Heater Blower Fan Circuit Open
B2455 Aux Heater Blower Faulted
B2456 Aux Heater Coolant Sensor Circuit Short to Ground
B2457 Aux Heater Coolant Sensor Circuit Open
B2458 Aux Heater Overheat Sensor Circuit Short to Ground
B2459 Aux Heater Overheat Sensor Circuit Open
B2460 Aux Heater Flame Sensor Circuit Short to Ground
B2461 Aux Heater Flame Sensor Circuit Open
B2462 Aux Heater Flame Out Fault
B2463 Aux Heater Overheat Fault
B2464 Aux Heater Start Time Exceeded
B2465 Aux Heater Start Counter Overrun/System Locked (same as below ?)
B2466 Aux Heater Overheat Counter Overrun/System Locked
B2467 Aux Heater Cool Down Time Exceeded (may be con to a453-5)
B2468 Aux Heater Coolant Pump Circuit Short to Ground
B2469 Aux Heater Coolant Pump Circuit Open
B2470 Interior Fan Control Circuit Short to Ground
B2471 Interior Fan Control Circuit Open
B2472 Fog Lamp Switch Failure
B2473 Passenger Door Disarm Switch ckt Short to Ground
B2474 Passenger Door Lock Switch Circuit Shorted to Ground
B2475 Passenger Door Unlock Switch Circuit Shorted to Ground
B2476 RADIO PRESENT SWITCH Ckt Failure
B2477 Module Configuration Failure
B2478 ANTI THEFT INPUT SIGNAL SHORT TO GROUND
B2479 BRAKE PARK SWITCH CIRCUIT SHORT TO GROUND
B2480 LF CORNER LAMP OUTPUT Ckt Short to Battery
B2481 Convertible Top Up/Down switch Fault
B2482 RF CORNER LAMP OUTPUT Ckt Short to Battery
B2483 Enable Signal Open Circuit
B2484 Disable Signal Short to Ground
B2485 LF SIDE REPEATER LAMP OUTPUT Ckt Short to Battery
B2487 RF SIDE REPEATER LAMP OUTPUT Ckt Short to Battery
B2489 UNDERHOOD LAMP OUTPUT CIRCUIT Failure
B2490 UNDERHOOD LAMP OUTPUT CIRCUIT Short to Battery
B2491 RF PARK LAMP OUTPUT CIRCUIT Short to Battery
B2492 Already Programmed (Test Mode DTC Only !!!)
B2493 LF PARK LAMP OUTPUT CIRCUIT Short to Battery
B2494 ANTI THEFT HORN OUTPUT CIRCUIT Short to Batt
B2495 ANTI THEFT HORN OUTPUT CIRCUIT Failure
B2496 ANTI THEFT HORN OUTPUT CIRCUIT Short to Gnd
B2499 COURTESY LAMP OUTPUT Failure
B2500 COURTESY LAMP OUTPUT Ckt Short to Battery
B2501 LF LAMP LOW BEAM CIRCUIT Failure
B2502 LF LAMP LOW BEAM CIRCUIT Short to Battery
B2503 RF LAMP LOW BEAM CIRCUIT Failure
B2504 RF LAMP LOW BEAM CIRCUIT Short to Battery
B2505 LF LAMP HIGH BEAM CIRCUIT Failure
B2506 LF LAMP HIGH BEAM CIRCUIT Short to Battery
B2507 RF LAMP HIGH BEAM CIRCUIT Failure
B2508 RF LAMP HIGH BEAM CIRCUIT Short to Battery
B2509 Rear Fog Lamp Switch Circuit Failure
B2510 Main Blower Motor Relay Circuit Short to Battery

B2511 Horn Output Relay Circuit Short to Battery
B2512 Front Fog Lamp Relay Ckt Short to Battery
B2513 Blower (Fan) Circuit Failure
B2514 Blower (Fan) Circuit Short to Vbatt
B2515 Heater Blower Relay Circuit Failure
B2516 Blower Control Circuit Failure
B2517 Emergency Power Off System Faulted
B2518 Compressor Overtemp Fault
B2519 High Mount Stop Lamp Circuit Failure
B2520 High Mount Stop Lamp Circuit Short to Battery
B2523 License Lamp Circuit Failure
B2524 License Lamp Circuit Short to Battery
B2525 Left Rear Backup Lamp Circuit Failure
B2526 Left Rear Backup Lamp Circuit Short to Battery
B2527 Left Rear Stop lamp Circuit Failure
B2528 Left Rear Stop lamp Circuit Short to Battery
B2529 Left Rear Turn Lamp Circuit Failure
B2530 Left Rear Turn Lamp Circuit Short to Battery
B2531 Right Rear Backup Lamp Circuit Failure
B2532 Right Rear Backup Lamp Circuit Short to Battery
B2533 Right Rear Stop lamp Circuit Failure
B2534 Right Rear Stop lamp Circuit Short to Battery
B2535 Right Rear Turn Lamp Circuit Failure
B2536 Right Rear Turn Lamp Circuit Short to Battery
B2539 Aux A/C Mode Position Reference Circuit Short to Ground
B2540 Aux A/C Mode Position Reference Circuit Short to Battery
B2543 Aux A/C Control Switch Reference Circuit Short to Ground
B2544 Aux A/C Control Switch Reference Circuit Short to Battery
B2545 System Power Relay Circuit Short to Battery
B2546 System Power Relay Circuit Failure
B2550 LAMP DOME OUTPUT Circuit Short to Ground
B2553 Disable Signal Output Circuit Short to Battery
B2554 LAMP DOME OUTPUT Circuit Failure
B2555 LAMP DOME OUTPUT Circuit Short to Battery
B2556 Enable Signal Circuit Short to Battery
B2557 Left Power Sliding Door Open/Close Output Circuit Short to Battery
B2558 Right Power Sliding Door Open/Close Output Circuit Short to Battery
B2559 Aux A/C Blower Motor Relay Circuit Short to Battery
B2560 Aux A/C Blower Motor Relay Circuit Short to Ground
B2561 Aux A/C Blower Speed 1 Circuit Failure
B2562 Aux A/C Blower Speed 1 Circuit Short to Ground
B2563 Aux A/C Blower Speed 2 Circuit Failure
B2564 Aux A/C Blower Speed 2 Circuit Short to Ground
B2565 Right Tail Lamp Circuit Failure
B2566 Right Tail Lamp Circuit Short to Ground
B2567 Reverse Mirror Output Circuit Failure
B2568 Reverse Mirror Output Circuit Short to Ground
B2569 Liftgate Disarm Switch Circuit Short to Ground
B2570 Right Lamp Outage Signal Circuit Short to Ground
B2571 Left Lamp Outage Signal Circuit Short to Ground
B2580 Aux Blower Sense Switch Circuit Failure
B2581 Passenger Seat Occupant Detection Circuit Short To Ground
B2582 Passenger Seat Occupant Detection Circuit Open
B2583 Child Seat Detection Circuit Short to Ground
B2584 Child Seat Detection Circuit Open
B2585 Anti Theft Input Signal Circuit Short To Battery
B2586 Headlamp Mode Select Circuit Failure
B2587 Passenger Seat Occupant Detection Circuit Short To Battery

B2588 Child Seat Detection Circuit Short To Battery
B2589 Unexpected Door Reversal During Close
B2590 Vehicle Park/Speed Signal Circuit Failure
B2591 Detent Signal Missing During Unlatch
B2592 PSD Not Fully Closed (Module Commanded Successfully)
B2593 Power Sliding Door Opened During Module Close Command
B2594 No Movement Detected After an Unlatch During Power Open
B2595 Anti Theft Input Signal Circuit Failure
B2596 Headlamp Aim Output Relay Circuit Short To Battery
B2597 Headlamp Aim Output Relay Circuit Failure
B2598 Headlamp Relay Circuit Failure
B2599 Tailgate Release Open Circuit
B2600 Double Locking Door Motor Frozen
B2601 No Latch Signal Sensed on Closing and Door Reversed
B2602 Missing Latch Signal During Power Sliding Door Unlatch
B2603 PSD Not Fully Closed During Self-Test
B2604 Power Sliding Door On/Off Switch Open Circuit
B2605 Disable Signal Open Circuit
B2606 A/C Temperature Sensor Out of Range
U1000 SCP (J1850) Invalid or Missing Data for Primary Id
U1001 SCP (J1850) Invalid or Missing Data for Primary Id
U1002 SCP (J1850) Invalid or Missing Data for Primary Id
U1003 SCP (J1850) Invalid or Missing Data for Primary Id
U1004 SCP (J1850) Invalid or Missing Data for EEC Programming
U1005 SCP (J1850) Invalid or Missing Data for EEC Programming
U1006 SCP (J1850) Invalid or Missing Data for Primary Id
U1007 SCP (J1850) Invalid or Missing Data for Primary Id
U1008 SCP (J1850) Invalid or Missing Data for Engine Torque
U1009 SCP (J1850) Invalid or Missing Data for Engine Torque
U1010 SCP (J1850) Invalid or Missing Data for Engine Air Intake
U1011 SCP (J1850) Invalid or Missing Data for Engine Air Intake
U1012 SCP (J1850) Invalid or Missing Data for Primary Id
U1013 SCP (J1850) Invalid or Missing Data for Primary Id
U1014 SCP (J1850) Invalid or Missing Data for Primary Id
U1015 SCP (J1850) Invalid or Missing Data for Primary Id
U1016 SCP (J1850) Invalid or Missing Data for Primary Id
U1017 SCP (J1850) Invalid or Missing Data for Primary Id
U1018 SCP (J1850) Invalid or Missing Data for Throttle
U1019 SCP (J1850) Invalid or Missing Data for Throttle
U1020 SCP (J1850) Invalid or Missing Data for Air Conditioning Clutch
U1021 SCP (J1850) Invalid or Missing Data for Air Conditioning Clutch
U1022 SCP (J1850) Invalid or Missing Data for Primary Id
U1023 SCP (J1850) Invalid or Missing Data for Primary Id
U1024 SCP (J1850) Invalid or Missing Data for Primary Id
U1025 SCP (J1850) Invalid or Missing Data for Primary Id
U1026 SCP (J1850) Invalid or Missing Data for Engine RPM
U1027 SCP (J1850) Invalid or Missing Data for Engine RPM
U1028 SCP (J1850) Invalid or Missing Data for Primary Id
U1029 SCP (J1850) Invalid or Missing Data for Primary Id
U1030 SCP (J1850) Invalid or Missing Data for Experimental #1
U1031 SCP (J1850) Invalid or Missing Data for Experimental #1
U1032 SCP (J1850) Invalid or Missing Data for Primary Id
U1033 SCP (J1850) Invalid or Missing Data for Primary Id
U1034 SCP (J1850) Invalid or Missing Data for Primary Id
U1035 SCP (J1850) Invalid or Missing Data for Primary Id
U1036 SCP (J1850) Invalid or Missing Data for Wheels
U1037 SCP (J1850) Invalid or Missing Data for Wheels
U1038 SCP (J1850) Invalid or Missing Data for Primary Id

U1039 SCP (J1850) Invalid or Missing Data for Primary Id / Vehicle Speed
U1040 SCP (J1850) Invalid or Missing Data for Vehicle Speed
U1041 SCP (J1850) Invalid or Missing Data for Vehicle Speed
U1042 SCP (J1850) Invalid or Missing Data for Traction Control
U1043 SCP (J1850) Invalid or Missing Data for Traction Control
U1044 SCP (J1850) Invalid or Missing Data for Traction Motor
U1045 SCP (J1850) Invalid or Missing Data for Traction Motor
U1046 SCP (J1850) Invalid or Missing Data for Primary Id
U1047 SCP (J1850) Invalid or Missing Data for Primary Id
U1048 SCP (J1850) Invalid or Missing Data for Primary Id
U1049 SCP (J1850) Invalid or Missing Data for Primary Id
U1050 SCP (J1850) Invalid or Missing Data for Brakes
U1051 SCP (J1850) Invalid or Missing Data for Brakes
U1052 SCP (J1850) Invalid or Missing Data for Steering / Steering Wheel
U1053 SCP (J1850) Invalid or Missing Data for Steering / Steering Wheel
U1054 SCP (J1850) Invalid or Missing Data for Primary Id
U1055 SCP (J1850) Invalid or Missing Data for Primary Id
U1056 SCP (J1850) Invalid or Missing Data for Vehicle Configuration
U1057 SCP (J1850) Invalid or Missing Data for Vehicle Configuration
U1058 SCP (J1850) Invalid or Missing Data for Transmission / Transaxle / PRNDL
U1059 SCP (J1850) Invalid or Missing Data for Transmission / Transaxle / PRNDL
U1060 SCP (J1850) Invalid or Missing Data for Primary Id
U1061 SCP (J1850) Invalid or Missing Data for Primary Id
U1062 SCP (J1850) Invalid or Missing Data for Primary Id
U1063 SCP (J1850) Invalid or Missing Data for Primary Id
U1064 SCP (J1850) Invalid or Missing Data for Primary Id
U1065 SCP (J1850) Invalid or Missing Data for Primary Id
U1066 SCP (J1850) Invalid or Missing Data for Primary Id
U1067 SCP (J1850) Invalid or Missing Data for Primary Id
U1068 SCP (J1850) Invalid or Missing Data for Primary Id
U1069 SCP (J1850) Invalid or Missing Data for Primary Id
U1070 SCP (J1850) Invalid or Missing Data for Engine Sensors
U1071 SCP (J1850) Invalid or Missing Data for Engine Sensors
U1072 SCP (J1850) Invalid or Missing Data for Engine Coolant
U1073 SCP (J1850) Invalid or Missing Data for Engine Coolant
U1074 SCP (J1850) Invalid or Missing Data for Engine Oil
U1075 SCP (J1850) Invalid or Missing Data for Engine Oil Temp
U1076 SCP (J1850) Invalid or Missing Data for Primary Id
U1077 SCP (J1850) Invalid or Missing Data for Primary Id
U1078 SCP (J1850) Invalid or Missing Data for Primary Id
U1079 SCP (J1850) Invalid or Missing Data for Primary Id
U1080 SCP (J1850) Invalid or Missing Data for Primary Id
U1081 SCP (J1850) Invalid or Missing Data for Primary Id
U1082 SCP (J1850) Invalid or Missing Data for Engine Systems Other
U1083 SCP (J1850) Invalid or Missing Data for Engine Systems Other
U1084 SCP (J1850) Invalid or Missing Data for Powertrain Status Request
U1085 SCP (J1850) Invalid or Missing Data for Powertrain Status Request
U1086 SCP (J1850) Invalid or Missing Data for Primary Id
U1087 SCP (J1850) Invalid or Missing Data for Primary Id
U1088 SCP (J1850) Invalid or Missing Data for Suspension
U1089 SCP (J1850) Invalid or Missing Data for Suspension
U1090 SCP (J1850) Invalid or Missing Data for Non-Legislated Diagnostics
U1091 SCP (J1850) Invalid or Missing Data for Non-Legislated Diagnostics
U1092 SCP (J1850) Invalid or Missing Data for Primary Id
U1093 SCP (J1850) Invalid or Missing Data for Primary Id
U1094 SCP (J1850) Invalid or Missing Data for Experimental #2
U1095 SCP (J1850) Invalid or Missing Data for Experimental #2
U1096 SCP (J1850) Invalid or Missing Data for Primary Id

U1097 SCP (J1850) Invalid or Missing Data for Primary Id
U1098 SCP (J1850) Invalid or Missing Data for Vehicle Speed Control
U1099 SCP (J1850) Invalid or Missing Data for Vehicle Speed Control
U1100 SCP (J1850) Invalid or Missing Data for Primary Id
U1101 SCP (J1850) Invalid or Missing Data for Primary Id
U1102 SCP (J1850) Invalid or Missing Data for Primary Id
U1103 SCP (J1850) Invalid or Missing Data for Primary Id
U1104 SCP (J1850) Invalid or Missing Data for Chassis Status Request
U1105 SCP (J1850) Invalid or Missing Data for Chassis Status Request
U1106 SCP (J1850) Invalid or Missing Data for Legislated Diagnostics
U1107 SCP (J1850) Invalid or Missing Data for Legislated Diagnostics
U1108 SCP (J1850) Invalid or Missing Data for Electric Traction Drive (Inverter)
U1109 SCP (J1850) Invalid or Missing Data for Electric Traction Drive (Inverter)
U1110 SCP (J1850) Invalid or Missing Data for Primary Id
U1111 SCP (J1850) Invalid or Missing Data for Primary Id
U1112 SCP (J1850) Invalid or Missing Data for Primary Id
U1113 SCP (J1850) Invalid or Missing Data for Primary Id
U1114 SCP (J1850) Invalid or Missing Data for Charging System
U1115 SCP (J1850) Invalid or Missing Data for Charging System
U1116 SCP (J1850) Invalid or Missing Data for Electrical Energy Management
U1117 SCP (J1850) Invalid or Missing Data for Electrical Energy Management
U1118 SCP (J1850) Invalid or Missing Data for Primary Id
U1119 SCP (J1850) Invalid or Missing Data for Primary Id
U1120 SCP (J1850) Invalid or Missing Data for Primary Id
U1121 SCP (J1850) Invalid or Missing Data for Primary Id
U1122 SCP (J1850) Invalid or Missing Data for Odometer
U1123 SCP (J1850) Invalid or Missing Data for Odometer
U1124 SCP (J1850) Invalid or Missing Data for Primary Id
U1125 SCP (J1850) Invalid or Missing Data for Primary Id
U1126 SCP (J1850) Invalid or Missing Data for Primary Id
U1127 SCP (J1850) Invalid or Missing Data for Primary Id
U1128 SCP (J1850) Invalid or Missing Data for Primary Id
U1129 SCP (J1850) Invalid or Missing Data for Primary Id
U1130 SCP (J1850) Invalid or Missing Data for Fuel System
U1131 SCP (J1850) Invalid or Missing Data for Fuel System
U1132 SCP (J1850) Invalid or Missing Data for Vehicle Motion
U1133 SCP (J1850) Invalid or Missing Data for Vehicle Motion
U1134 SCP (J1850) Invalid or Missing Data for Ignition Switch / Starter
U1135 SCP (J1850) Invalid or Missing Data for Ignition Switch / Starter
U1136 SCP (J1850) Invalid or Missing Data for Telltales
U1137 SCP (J1850) Invalid or Missing Data for Telltales
U1138 SCP (J1850) Invalid or Missing Data for Primary Id
U1139 SCP (J1850) Invalid or Missing Data for Primary Id
U1140 SCP (J1850) Invalid or Missing Data for Gateway
U1141 SCP (J1850) Invalid or Missing Data for Gateway
U1142 SCP (J1850) Invalid or Missing Data for Primary Id
U1143 SCP (J1850) Invalid or Missing Data for Primary Id
U1144 SCP (J1850) Invalid or Missing Data for Primary Id
U1145 SCP (J1850) Invalid or Missing Data for Primary Id
U1146 SCP (J1850) Invalid or Missing Data for Vehicle Security
U1147 SCP (J1850) Invalid or Missing Data for Vehicle Security
U1148 SCP (J1850) Invalid or Missing Data for Audio Control
U1149 SCP (J1850) Invalid or Missing Data for Audio Control
U1150 SCP (J1850) Invalid or Missing Data for Audible Warnings
U1151 SCP (J1850) Invalid or Missing Data for Audible Warnings
U1152 SCP (J1850) Invalid or Missing Data for Experimental #3
U1153 SCP (J1850) Invalid or Missing Data for Experimental #3
U1154 SCP (J1850) Invalid or Missing Data for Compact Disc

U1155 SCP (J1850) Invalid or Missing Data for Compact Disc
U1156 SCP (J1850) Invalid or Missing Data for Digital Signal Processing
U1157 SCP (J1850) Invalid or Missing Data for Digital Signal Processing
U1158 SCP (J1850) Invalid or Missing Data for Antenna
U1159 SCP (J1850) Invalid or Missing Data for Antenna
U1160 SCP (J1850) Invalid or Missing Data for Primary Id
U1161 SCP (J1850) Invalid or Missing Data for Primary Id
U1162 SCP (J1850) Invalid or Missing Data for Digital Audio Tape
U1163 SCP (J1850) Invalid or Missing Data for Digital Audio Tape
U1164 SCP (J1850) Invalid or Missing Data for Tuner / Receiver
U1165 SCP (J1850) Invalid or Missing Data for Tuner / Receiver
U1166 SCP (J1850) Invalid or Missing Data for Cassette Tape
U1167 SCP (J1850) Invalid or Missing Data for Cassette Tape
U1168 SCP (J1850) Invalid or Missing Data for Primary Id
U1169 SCP (J1850) Invalid or Missing Data for Primary Id
U1170 SCP (J1850) Invalid or Missing Data for Cellular Phone / Paging System
U1171 SCP (J1850) Invalid or Missing Data for Cellular Phone / Paging System
U1172 SCP (J1850) Invalid or Missing Data for Remote Button Control
U1173 SCP (J1850) Invalid or Missing Data for Remote Button Control
U1174 SCP (J1850) Invalid or Missing Data for Primary Id
U1175 SCP (J1850) Invalid or Missing Data for Primary Id
U1176 SCP (J1850) Invalid or Missing Data for Primary Id
U1177 SCP (J1850) Invalid or Missing Data for Primary Id
U1178 SCP (J1850) Invalid or Missing Data for Climate Control (HVAC)
U1179 SCP (J1850) Invalid or Missing Data for Climate Control (HVAC)
U1180 SCP (J1850) Invalid or Missing Data for Personalization (Memory) Features
U1181 SCP (J1850) Invalid or Missing Data for Personalization (Memory) Features
U1182 SCP (J1850) Invalid or Missing Data for Primary Id
U1183 SCP (J1850) Invalid or Missing Data for Primary Id
U1184 SCP (J1850) Invalid or Missing Data for Window Wiper / Washer
U1185 SCP (J1850) Invalid or Missing Data for Window Wiper / Washer
U1186 SCP (J1850) Invalid or Missing Data for Primary Id
U1187 SCP (J1850) Invalid or Missing Data for Primary Id
U1188 SCP (J1850) Invalid or Missing Data for Primary Id
U1189 SCP (J1850) Invalid or Missing Data for Primary Id
U1190 SCP (J1850) Invalid or Missing Data for Primary Id
U1191 SCP (J1850) Invalid or Missing Data for Primary Id
U1192 SCP (J1850) Invalid or Missing Data for Primary Id
U1193 SCP (J1850) Invalid or Missing Data for Primary Id
U1194 SCP (J1850) Invalid or Missing Data for Mirrors
U1195 SCP (J1850) Invalid or Missing Data for Mirrors
U1196 SCP (J1850) Invalid or Missing Data for Door Locks
U1197 SCP (J1850) Invalid or Missing Data for Door Locks
U1198 SCP (J1850) Invalid or Missing Data for External Access (Doors)
U1199 SCP (J1850) Invalid or Missing Data for External Access (Doors)
U1200 SCP (J1850) Invalid or Missing Data for Seat Motion / Control
U1201 SCP (J1850) Invalid or Missing Data for Seat Motion / Control
U1202 SCP (J1850) Invalid or Missing Data for Windows
U1203 SCP (J1850) Invalid or Missing Data for Windows
U1204 SCP (J1850) Invalid or Missing Data for Steering Column
U1205 SCP (J1850) Invalid or Missing Data for Steering Column
U1206 SCP (J1850) Invalid or Missing Data for Primary Id
U1207 SCP (J1850) Invalid or Missing Data for Primary Id
U1208 SCP (J1850) Invalid or Missing Data for Seat Switches
U1209 SCP (J1850) Invalid or Missing Data for Seat Switches
U1210 SCP (J1850) Invalid or Missing Data for Restraints
U1211 SCP (J1850) Invalid or Missing Data for Restraints
U1212 SCP (J1850) Invalid or Missing Data for Primary Id

U1213 SCP (J1850) Invalid or Missing Data for Primary Id
U1214 SCP (J1850) Invalid or Missing Data for Primary Id
U1215 SCP (J1850) Invalid or Missing Data for Primary Id
U1216 SCP (J1850) Invalid or Missing Data for External Lamp Outage
U1217 SCP (J1850) Invalid or Missing Data for External Lamp Outage
U1218 SCP (J1850) Invalid or Missing Data for External Lamps
U1219 SCP (J1850) Invalid or Missing Data for External Lamps
U1220 SCP (J1850) Invalid or Missing Data for Interior Lamp Outage
U1221 SCP (J1850) Invalid or Missing Data for Interior Lamp Outage
U1222 SCP (J1850) Invalid or Missing Data for Interior Lamps
U1223 SCP (J1850) Invalid or Missing Data for Interior Lamps
U1224 SCP (J1850) Invalid or Missing Data for Primary Id
U1225 SCP (J1850) Invalid or Missing Data for Primary Id
U1226 SCP (J1850) Invalid or Missing Data for Body Status Request
U1227 SCP (J1850) Invalid or Missing Data for Body Status Request
U1228 SCP (J1850) Invalid or Missing Data for Tires
U1229 SCP (J1850) Invalid or Missing Data for Tires
U1230 SCP (J1850) Invalid or Missing Data for Electric Defrost
U1231 SCP (J1850) Invalid or Missing Data for Electric Defrost
U1232 SCP (J1850) Invalid or Missing Data for Navigation
U1233 SCP (J1850) Invalid or Missing Data for Navigation
U1234 SCP (J1850) Invalid or Missing Data for Displays
U1235 SCP (J1850) Invalid or Missing Data for Displays
U1236 SCP (J1850) Invalid or Missing Data for Memory Storage
U1237 SCP (J1850) Invalid or Missing Data for Memory Storage
U1238 SCP (J1850) Invalid or Missing Data for Experimental #4
U1239 SCP (J1850) Invalid or Missing Data for Experimental #4
U1240 SCP (J1850) Invalid or Missing Data for Primary Id
U1241 SCP (J1850) Invalid or Missing Data for Primary Id
U1242 SCP (J1850) Invalid or Missing Data for Exterior Environment
U1243 SCP (J1850) Invalid or Missing Data for Exterior Environment
U1244 SCP (J1850) Invalid or Missing Data for Interior Environment
U1245 SCP (J1850) Invalid or Missing Data for Interior Environment
U1246 SCP (J1850) Invalid or Missing Data for Primary Id
U1247 SCP (J1850) Invalid or Missing Data for Primary Id
U1248 SCP (J1850) Invalid or Missing Data for Time / Date
U1249 SCP (J1850) Invalid or Missing Data for Time / Date
U1250 SCP (J1850) Invalid or Missing Data for Vehicle Id (VIN)
U1251 SCP (J1850) Invalid or Missing Data for Vehicle Id (VIN)
U1252 SCP (J1850) Invalid or Missing Data for Class A Functions
U1253 SCP (J1850) Invalid or Missing Data for Class A Functions
U1254 SCP (J1850) Invalid or Missing Data for Network Control
U1255 SCP (J1850) Invalid or Missing Data for Network Control
U1260 SCP (J1850) Single Ended (+) Circuit Failure
U1261 SCP (J1850) Single Ended (-) Circuit Failure
U1262 SCP (J1850) Communication Bus Fault
U1308 SCP (J1850) Invalid or Missing Data for Function Read Engine Torque
U1341 SCP (J1850) Invalid or Missing Data for Function Read Vehicle Speed
U1430 SCP (J1850) Invalid or Missing Data for Function Read Fuel System
U1451 SCP (J1850) Invalid or Missing Data for Function Read Audible Warnings / Anti-Theft Module, Vehicle Immobilized
U1612 SCP (J1850) Lack of Acknowledgment for Primary Id
U1736 SCP (J1850) Lack of Acknowledgment for Telltales
U1750 SCP (J1850) Lack of Acknowledgment for Audible Warnings
U1794 SCP (J1850) Lack of Acknowledgment for Mirrors
U1797 SCP (J1850) Lack of Acknowledgment for Door Locks
U1798 SCP (J1850) Lack of Acknowledgment for External Access (Doors)
U1806 SCP (J1850) Lack of Acknowledgment for Primary Id
U1900 CAN Communication Bus Fault

U1950 UPB Communication Bus Fault
U2000 Audio Rear Control Unit is Not Responding
U2001 Audio Tape Deck Unit is Not Responding
U2002 Audio Bezel is Not Responding
U2003 Audio Compact Disk / Disk Jockey Unit is Not Responding
U2004 Audio Steering Wheel Control Unit is Not Responding
U2005 Audio Rear Integrated Control Panel Unit is Not Responding
U2006 Audio Remote Climate Control Unit is Not Responding
U2007 Audio Navigation Unit is Not Responding
U2008 Audio Phone is Not Responding
U2009 Audio Front Control Module (ACM) is Not Responding
U2010 Module is Not Responding (Non SCP)
U2011 Module Transmitted Invalid Data (Non SCP)
U2012 Communication Bus Error (Non SCP)
U2013 Compass Module is not Responding
U2014 Audio Subwoofer Unit is Not Responding
U2015 Signal Link Fault (Non SCP)
U2016 Signal Link Short to Ground (Non SCP) / From NGV Module
U2017 Driver Side Crash Sensor Communication Fault (Non SCP)
U2018 Passenger Side Crash Sensor Communication Fault (Non SCP)
U2019 Audio Voice Module Not Responding
U2020 Audio Center Amp is not responding
U2021 Invalid /fault data received (Non SCP)
U2150 SCP (J1850) Invalid Data from REM
U2152 SCP (J1850) Invalid Data from GEM
U2160 SCP (J1850) Invalid Data from IC
U2195 SCP (J1850) Invalid Data from SCLM
U2500 (CAN) Lack of Acknowledgement From Engine Management